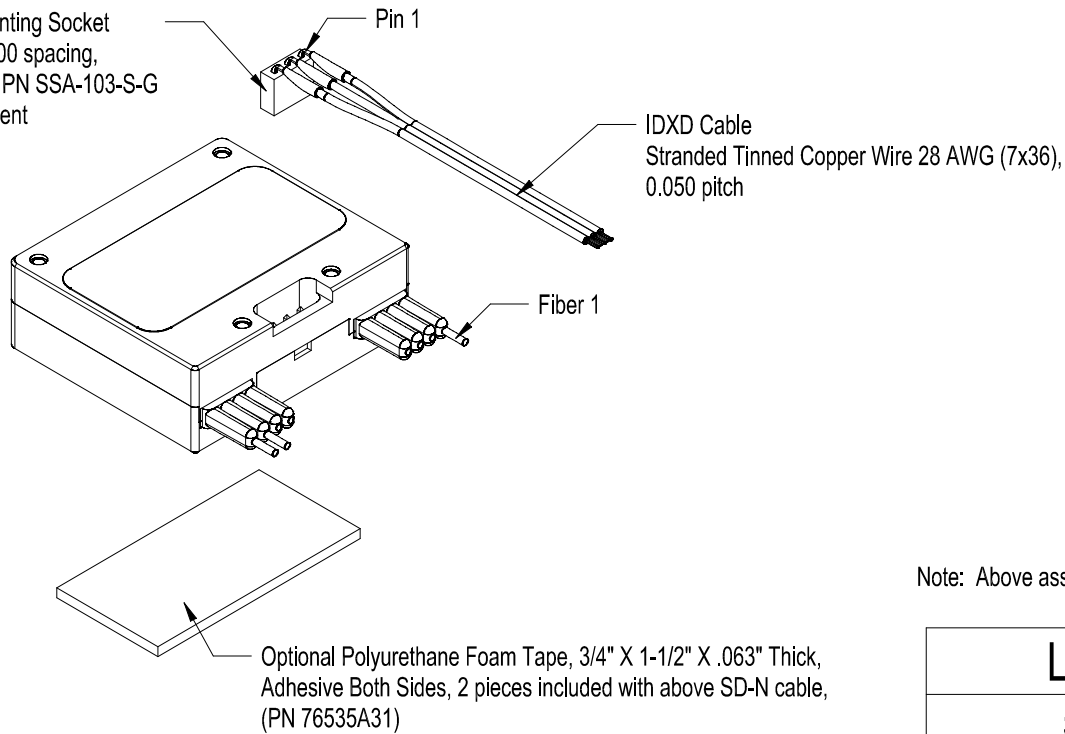


PCB Mounting Socket
3 pin, 0.100 spacing,
SAMTEC PN SSA-103-S-G
or equivalent



Note: Above assembly is a modified "Switch Power Cable Assembly" PT028604A

LUMINOS INDUSTRIES LTD

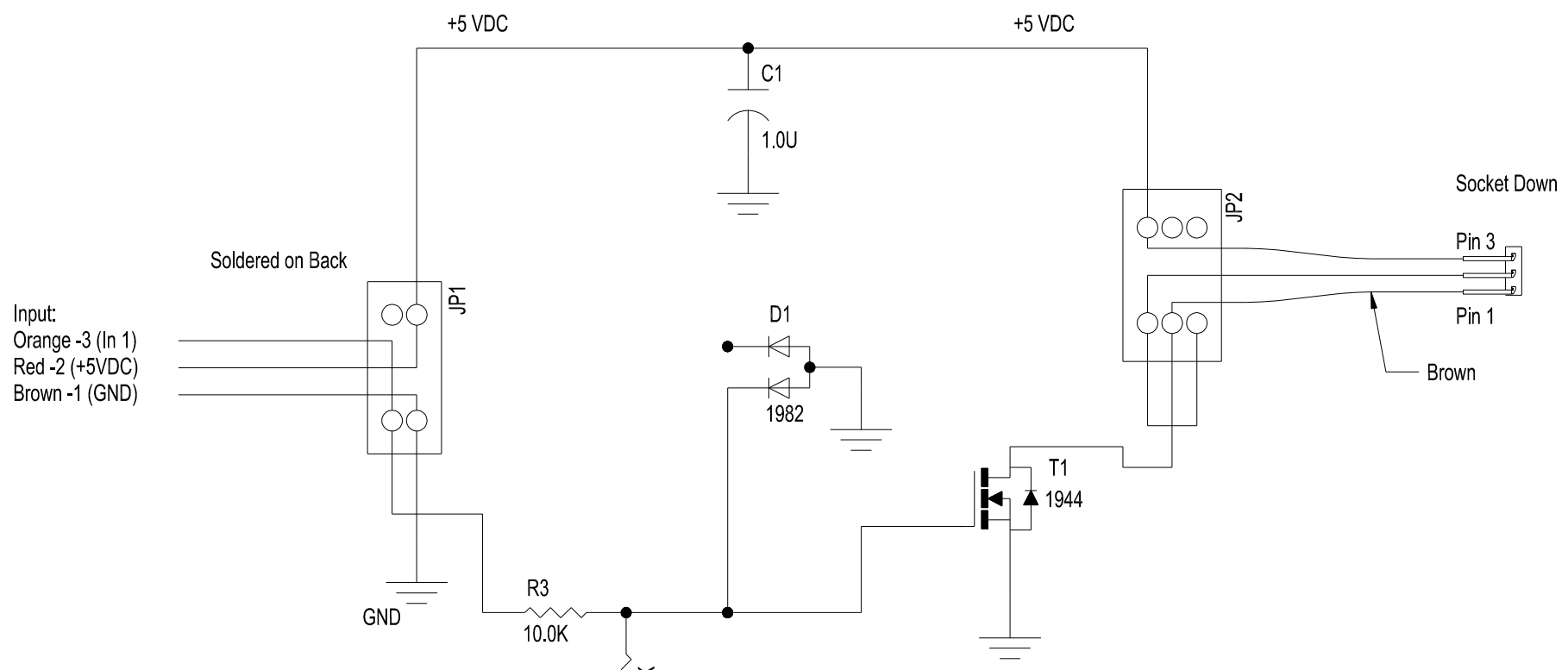
SD-N (Inline Switch Driver; Non-latching)

Material:
Finish:

Tolerance:

Company Proprietary

SIZE A	VIEW	PART NO.	PT053002C	REV C
SCALE 1	FILE	PT0530B.ckd	SHEET 1/2	JD



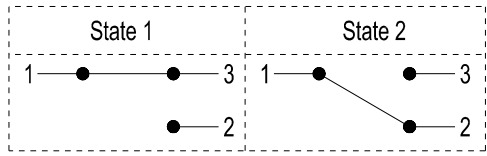
Resistors are 0805
Filter Cap is 1206

R3 are R: 1%:0805:10.0K
R4 are R: 1%:0805:33.0K
1982 is a common anode 6.8V zener AZ23C678-7-F for ESD
1944 is 50 milliohm PMV40UN N chan 30 volt SOT-23 FET
Manufacturing holes, 2 places are GND

Electrical Connectivity (Input)

State 1			State 2		
Brown	Red	Orange	Brown	Red	Orange
Gnd	V+=5V	Control = 0	Gnd	V+=5V	Control = +5

Fiber Connectivity (Optical Input) Eg: 1x2



LUMINOS INDUSTRIES LTD

SD-N (Inline Switch Driver; Non-latching)

Material:
Finish:
Tolerance:

Company Proprietary

SIZE A	VIEW	PART NO.	PT053002C	REV C
SCALE 1	FILE	PT0530B.ckd	SHEET 2/2	JD