

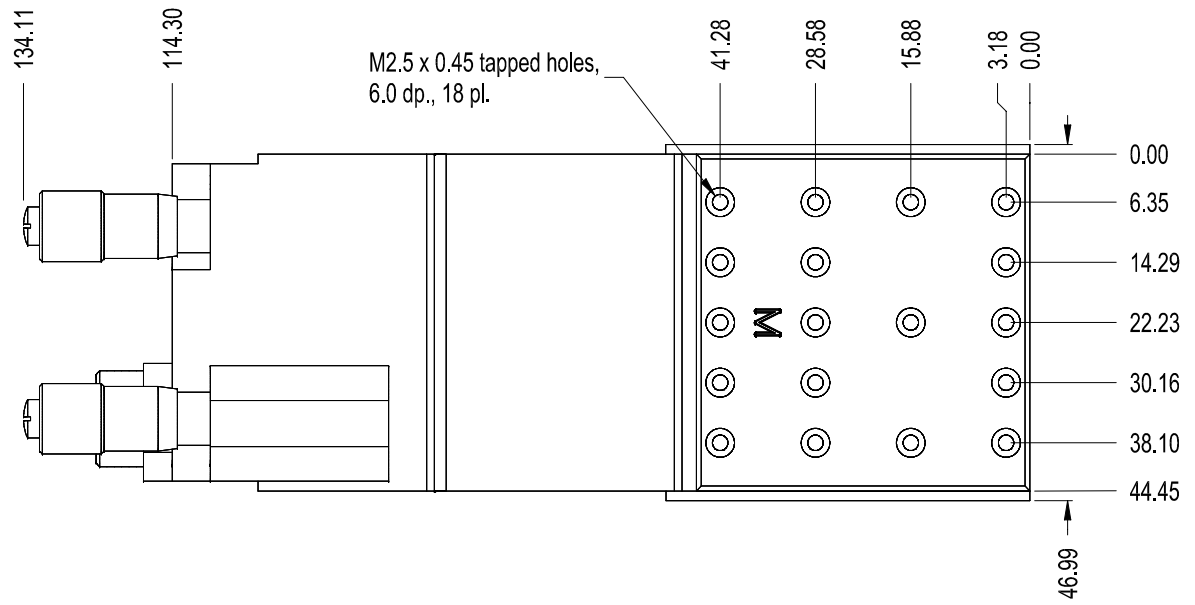
NOTE: Stage is shown in mid-position of travel
 Yaw & Pitch travel: $\pm 1.5^\circ$, 30 arc-sec/div., 4 turns/degree

LUMINOS INDUSTRIES LTD

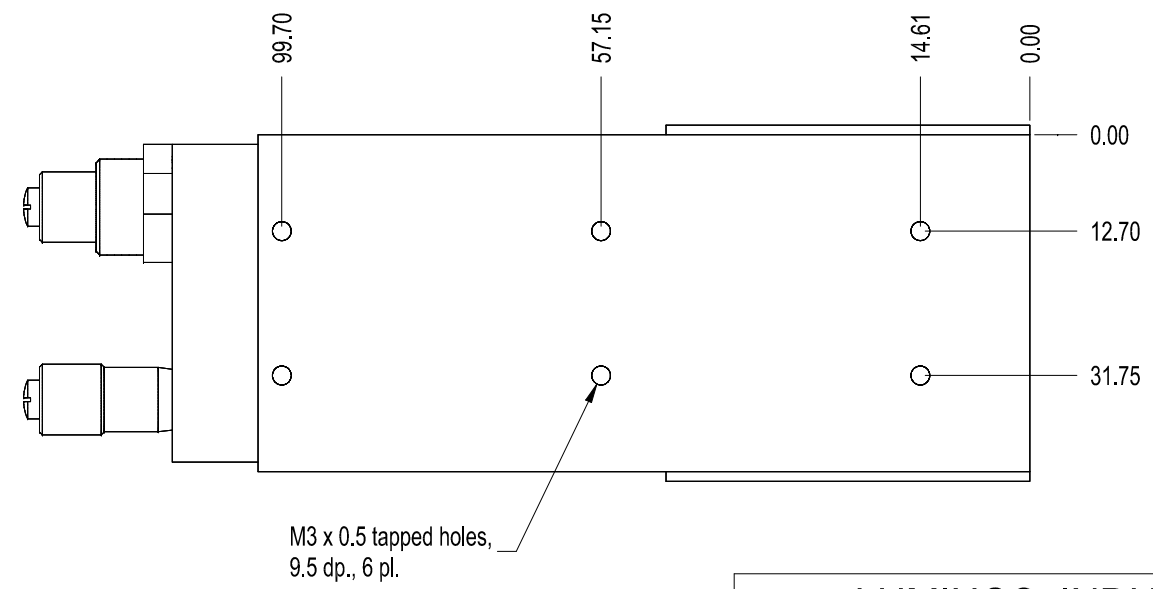
YP2000 2-Axis Manual Rotational Positioner - Front & End Outline

Material: _____
 Finish: _____ Tolerance: _____

SIZE A	VIEW	DWG NO.	PT048509A	REV A
SCALE 0.75	FILE	PT0485A.ckd	SHEET 1/3	



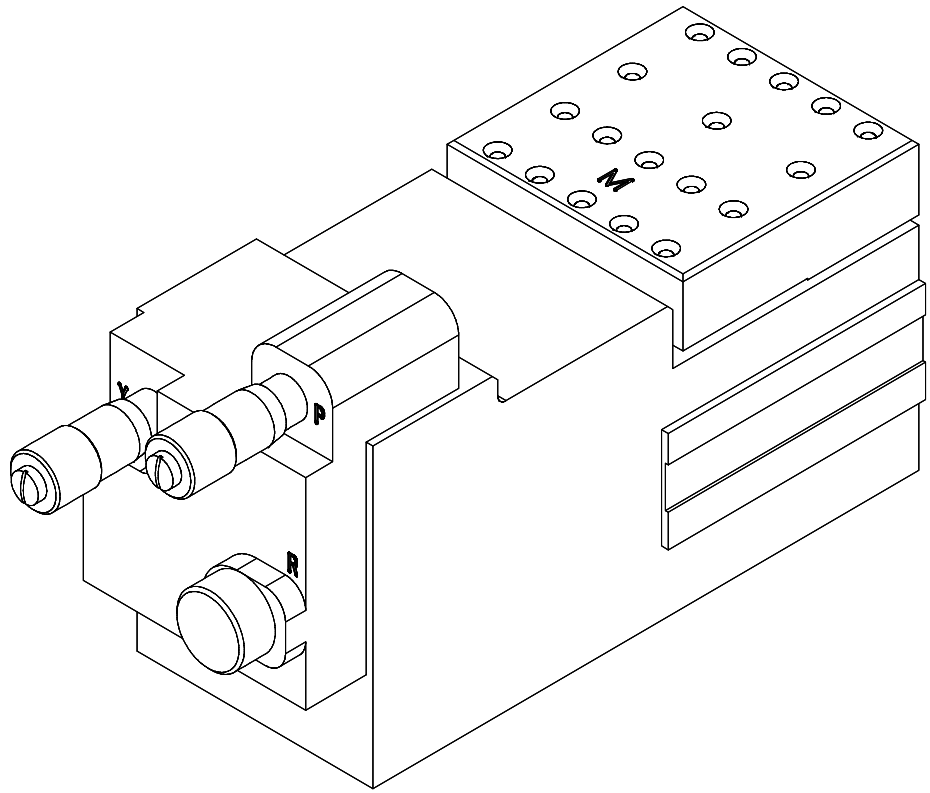
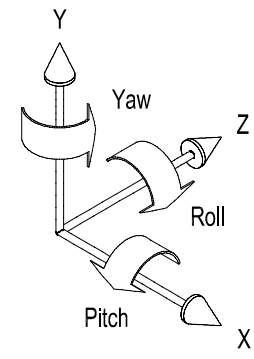
Top View



Bottom View

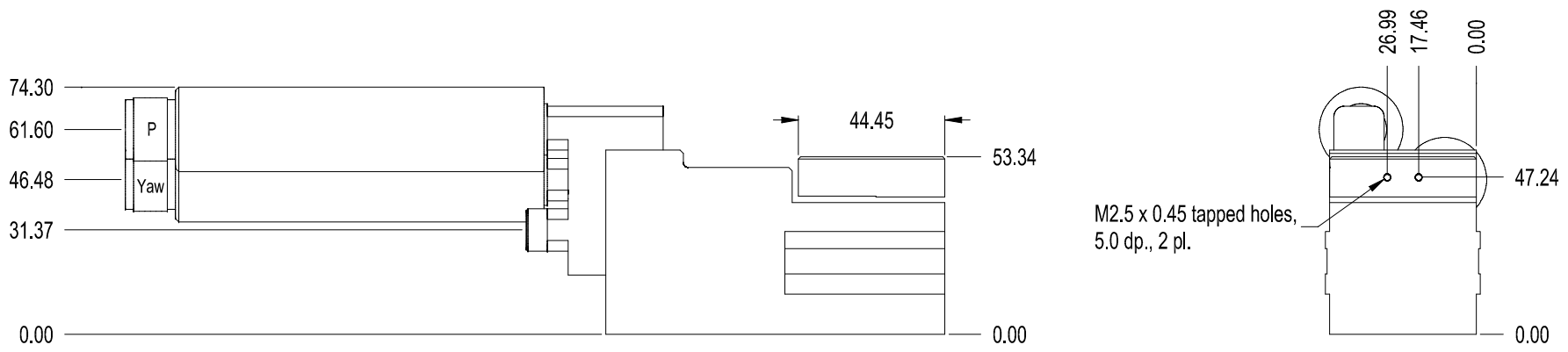
LUMINOS INDUSTRIES LTD				
YP2000 2-Axis Manual Rotational Positioner - Top & Bottom Outline				
SIZE A	VIEW	DWG NO.	PT048509A	REV A
SCALE 1	FILE	PT0485A.ckd	SHEET	2/3

Material:	
Finish:	Tolerance:



LUMINOS INDUSTRIES LTD				
YP2000 2-Axis Manual Rotational Positioner - Perspective View				
SIZE A	VIEW	DWG NO.	PT048509A	REV A
SCALE 1	FILE	PT0485A.ckd	SHEET	3/3

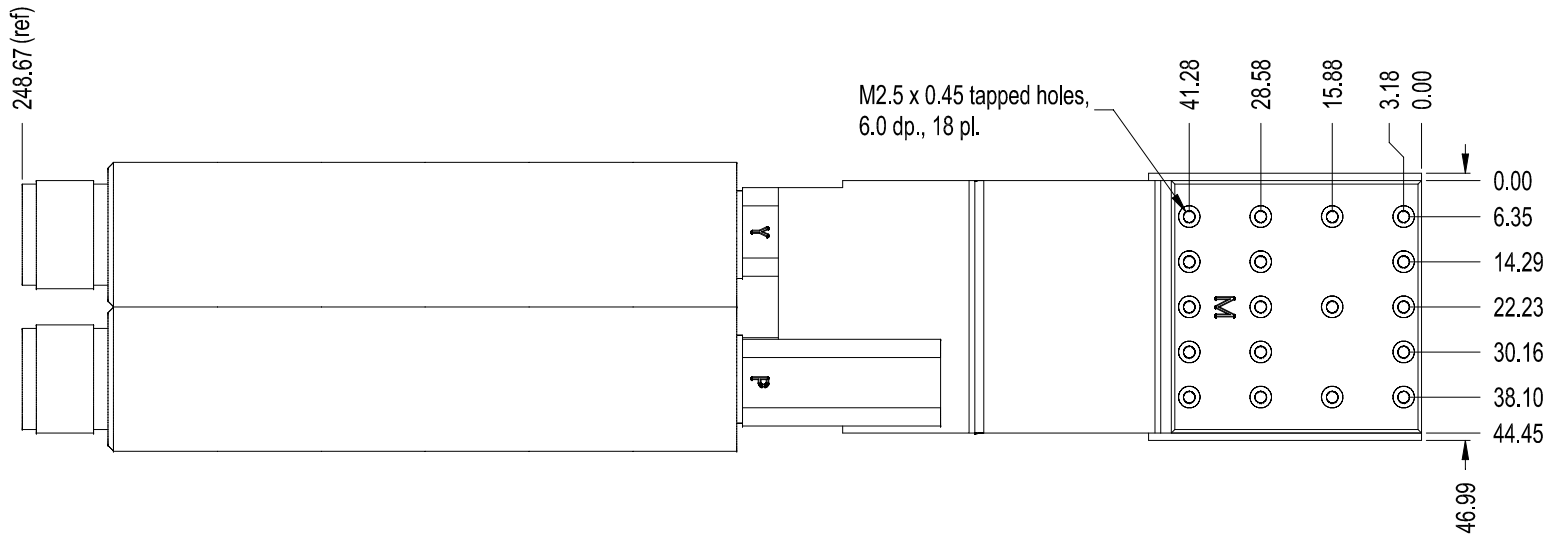
Material:	
Finish:	Tolerance:



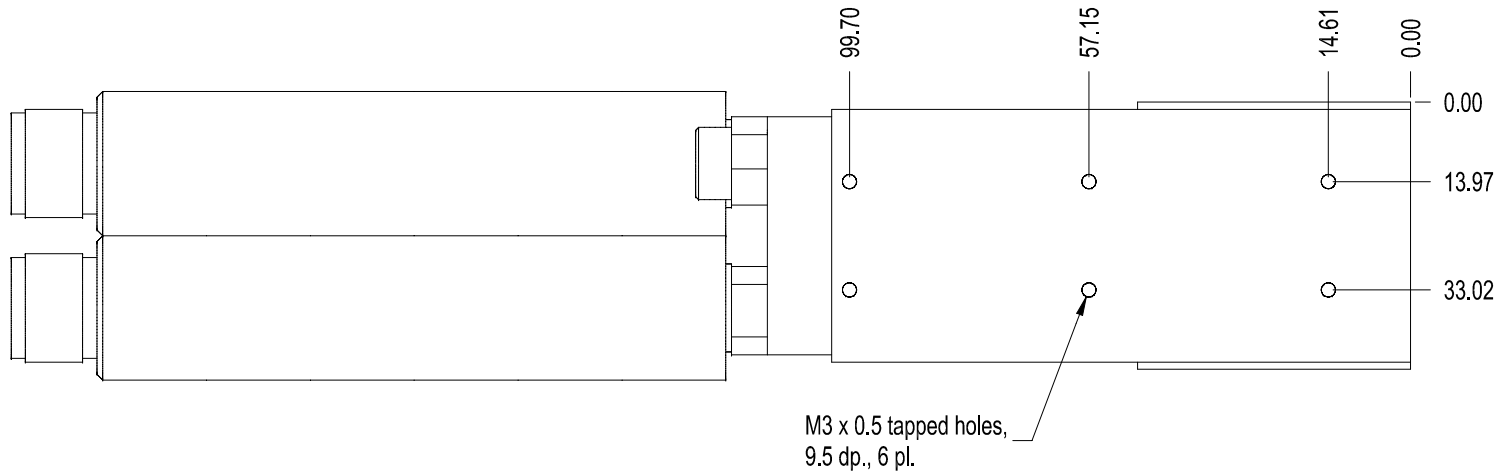
Stage is shown in mid-position of travel
 Yaw & Pitch: +/- 1.5° each axis

LUMINOS INDUSTRIES LTD				
YP2000 Positioner (stepper motor) - Front & End Outline				
SIZE A	VIEW	DWG NO.	PT048510A	REV A
SCALE 0.5	FILE	PT0485A.ckd	SHEET 1/3	

Material:	
Finish:	Tolerance:



Top View



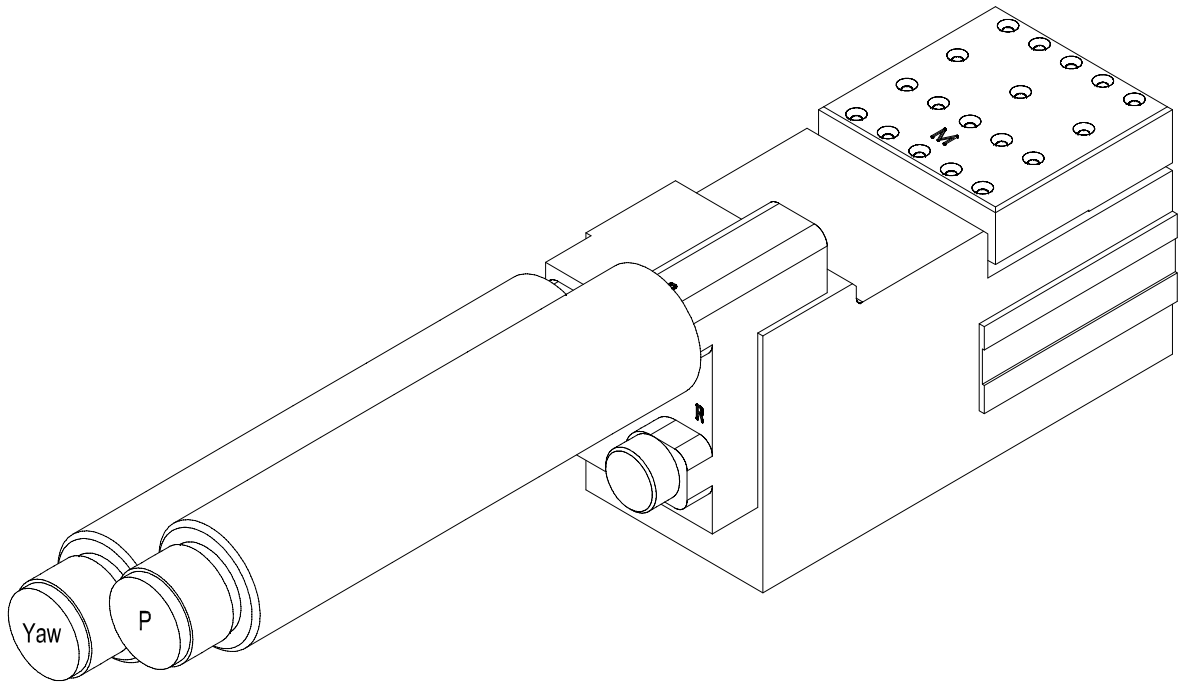
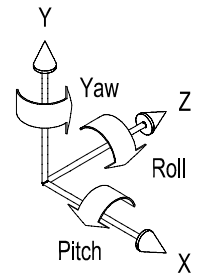
Bottom View

LUMINOS INDUSTRIES LTD

YP2000 Positioner (stepper motor) - Outline Top & Bottom

Material:
Finish: Tolerance:

SIZE A	VIEW	DWG NO.	PT048510A	REV A
SCALE 0.75	FILE	PT0485A.ckd	SHEET 2/3	



LUMINOS INDUSTRIES LTD

YP2000 Positioner (stepper motor) - Perspective View

Material: _____
 Finish: _____ Tolerance: _____

SIZE A	VIEW	DWG NO.	PT048510A	REV A
SCALE 0.75	FILE	PT0485A.ckd	SHEET 3/3	