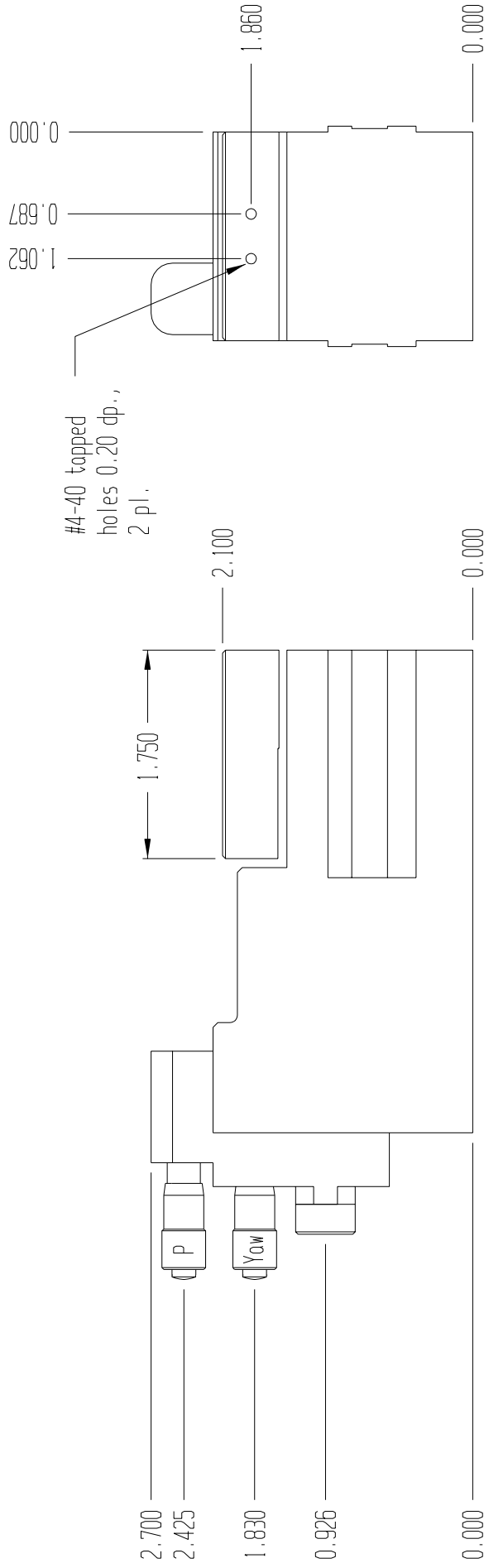


PKG Start Date:

REV Date: Jan 09, 03

APPROVED



NOTE: Stage is shown in mid-position of travel
Yaw & Pitch: +/- 1.5° each axis

LUMINDS INDUSTRIES LTD

YP2000 Positioner (manual) - Front & End Outline

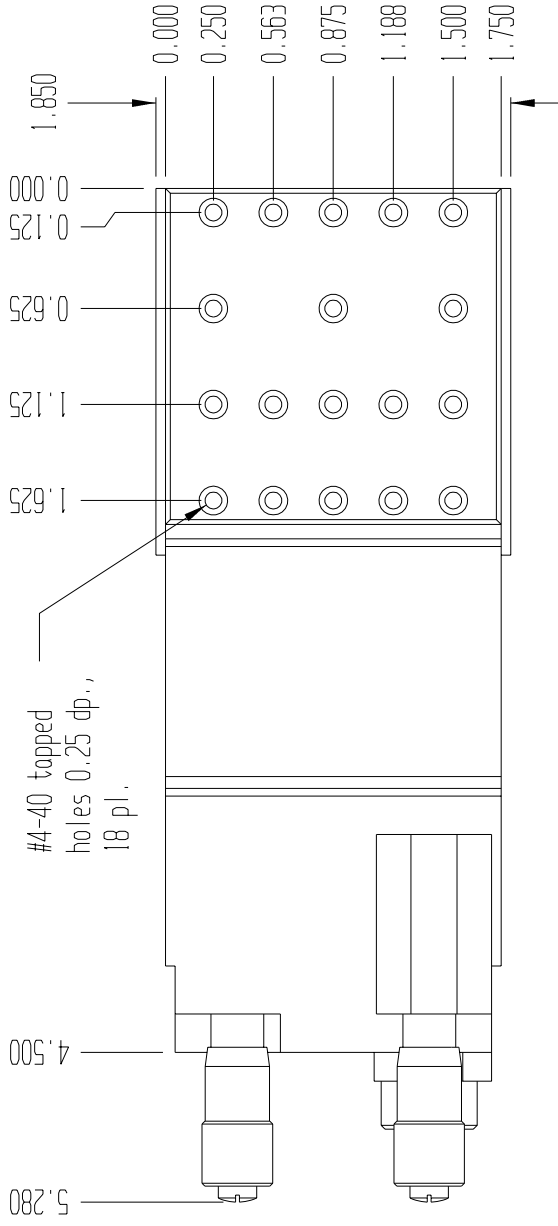
SIZE A	VIEW	DWG NO.	YP2000-01	REV
SCALE 0.75	FILE	YP2000.prt	SHEET	1/3

Material:	
Finish:	Tolerance

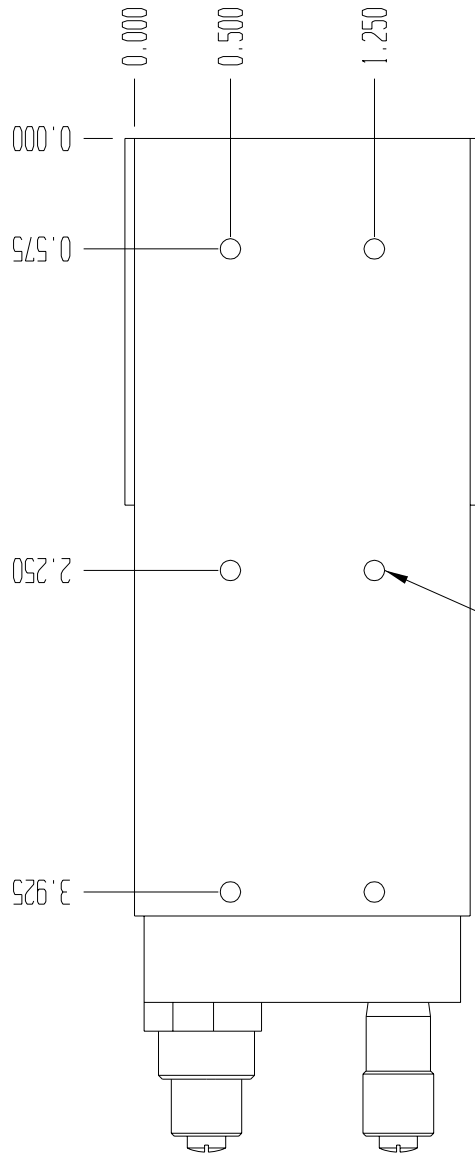
DESCRIPTION

REV Date: Jan 09, 03

APPROVED



Top View



Bottom View

LUMINDS INDUSTRIES LTD

YP2000 Positioner (manual) - Outline Top & Bottom

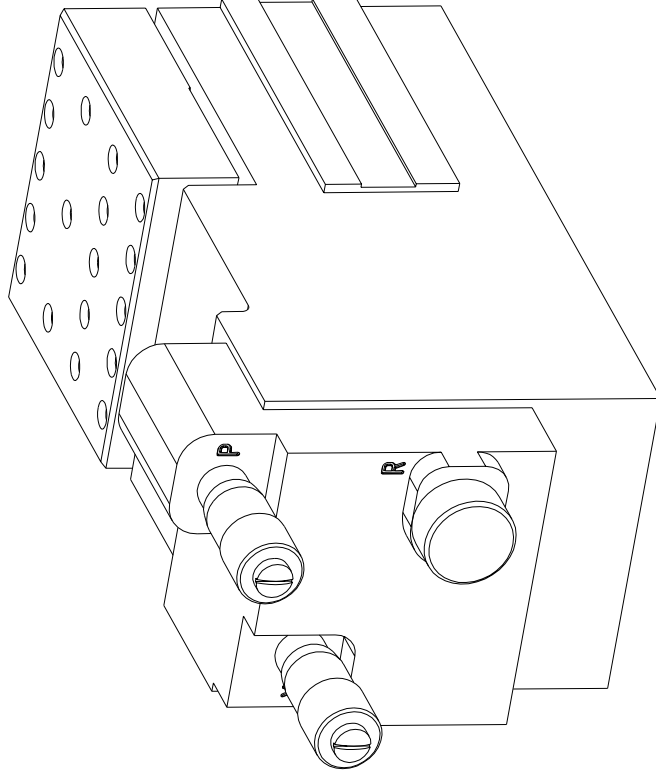
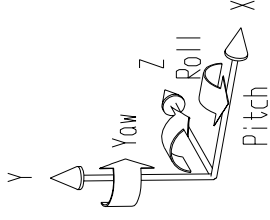
SIZE A VIEW DWG NO. YP2000-01 REV A

SCALE 1 FILE YP2000.prt SHEET 2/3

Material:

Finish: Tolerance

PKG Start Date: Jan 09, 03 APPROVED



LUMINDS INDUSTRIES LTD

YP2000 Positioner (manual) - Perspective View

SIZE A VIEW DWG NO. YP2000-01 REV

SCALE 1 FILE YP2000.prt SHEET 3/3

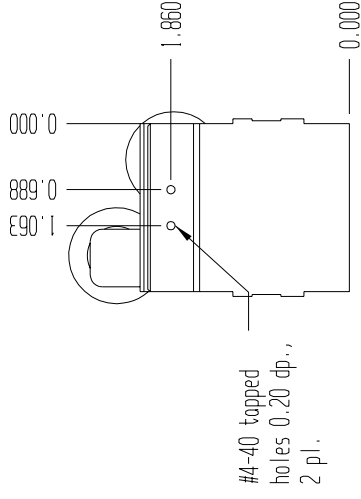
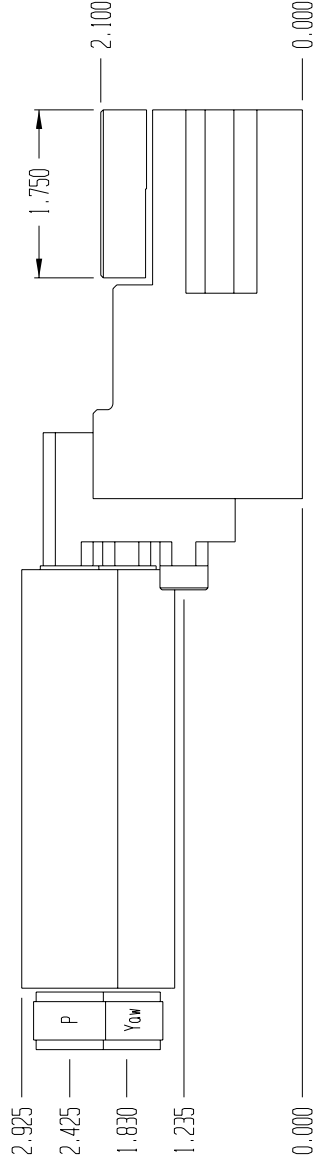
Material:

Finish: Tolerance

PKG Start Date:

REV Date: Jan 09, 03

APPROVED



NOTE: Stage is shown in mid-position of travel
Yaw & Pitch: +/- 1.5° each axis

LUMINDS INDUSTRIES LTD

YP2000 Positioner (stepper motor) - Front & End Outline

SIZE A VIEW DWG NO. YP2000-02 REV

SCALE 0.5 FILE YP2000.prt SHEET 1/3

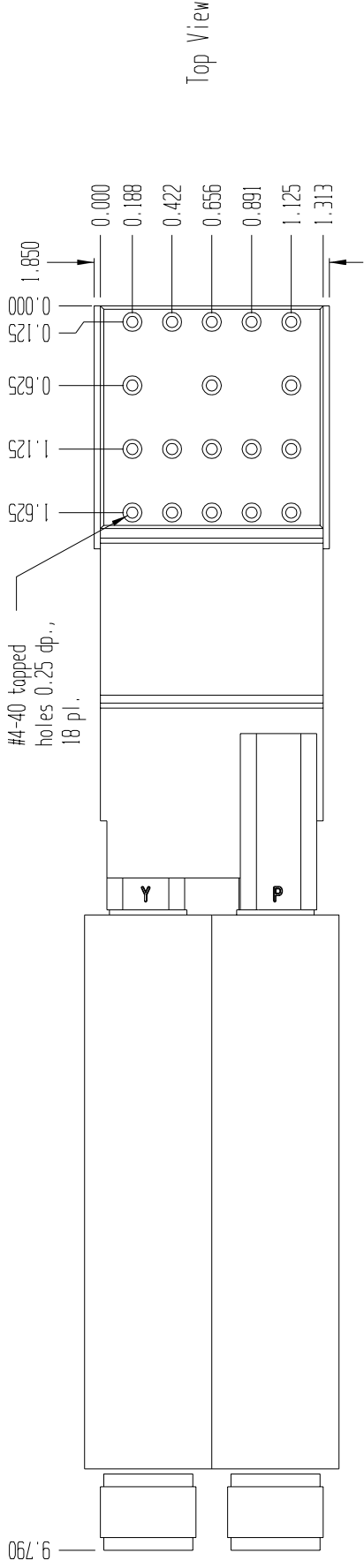
Material:

Finish: Tolerance

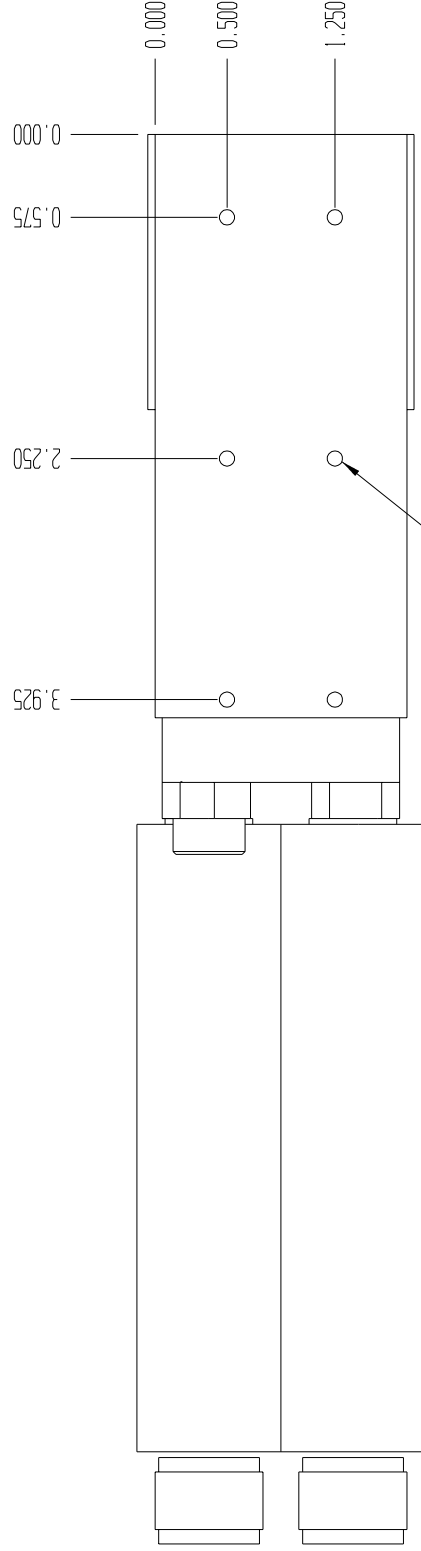
DESCRIPTION

REV Date: Jan 09, 03

APPROVED



Top View



Bottom View

LUMINDS INDUSTRIES LTD

YP2000 Positioner (stepper motor) - Outline Top & Bottom

SIZE A VIEW DWG NO. YP2000-02 REV A

SCALE 0.75 FILE YP2000.prt SHEET 2/3

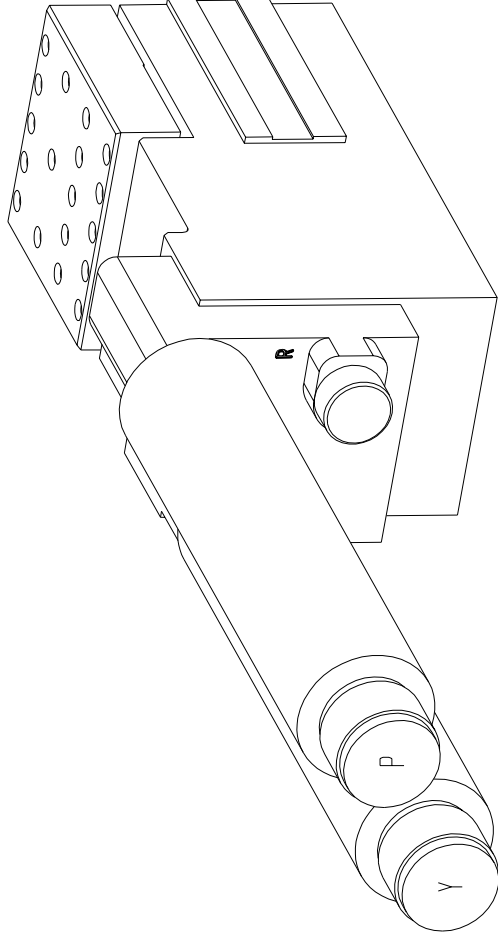
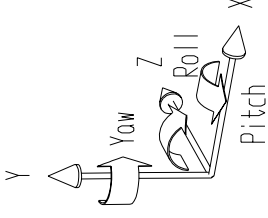
Material:

Finish: Tolerance

PKG Start Date:

REV Date: Jan 09, 03

APPROVED



LUMINDS INDUSTRIES LTD

YP2000 Positioner (stepper motor) - Perspective View

SIZE A VIEW DWG NO. YP2000-02 REV

SCALE 0.75 FILE YP2000.prt SHEET 3/3

Material:

Finish: Tolerance