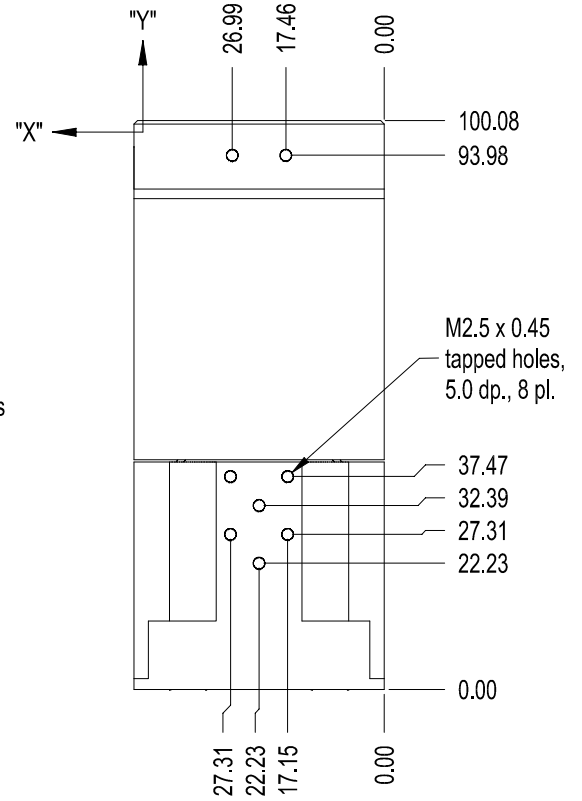
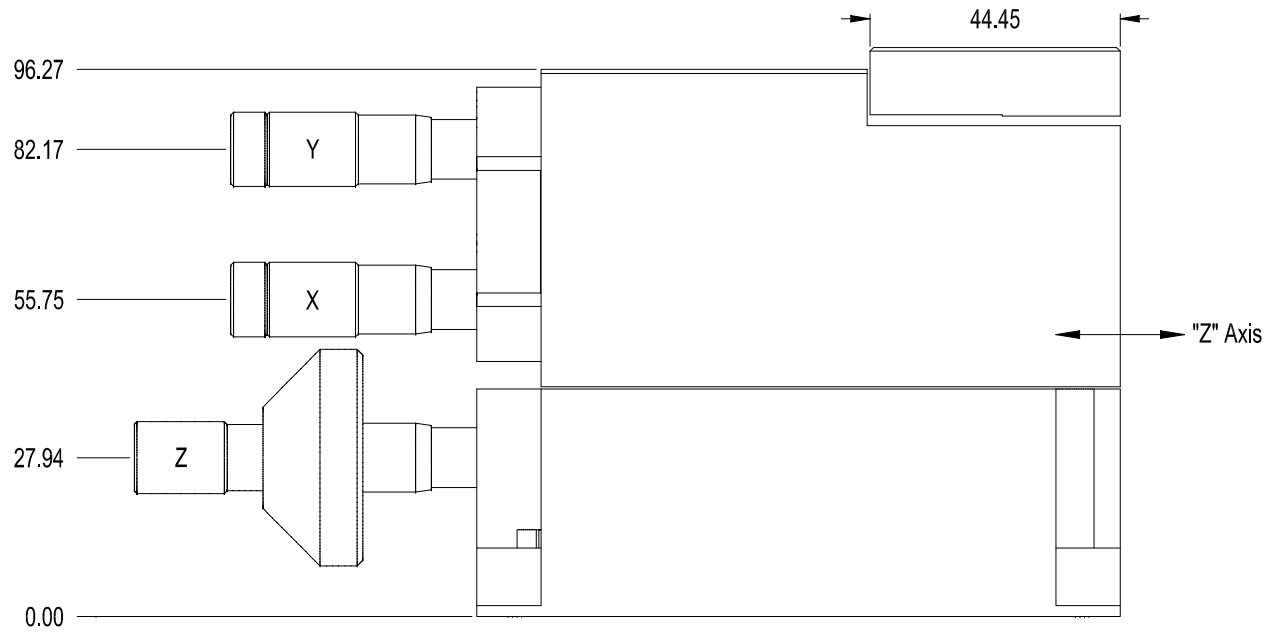


M2.5 x 0.45 tapped holes,
6.0 dp., 18 pl.

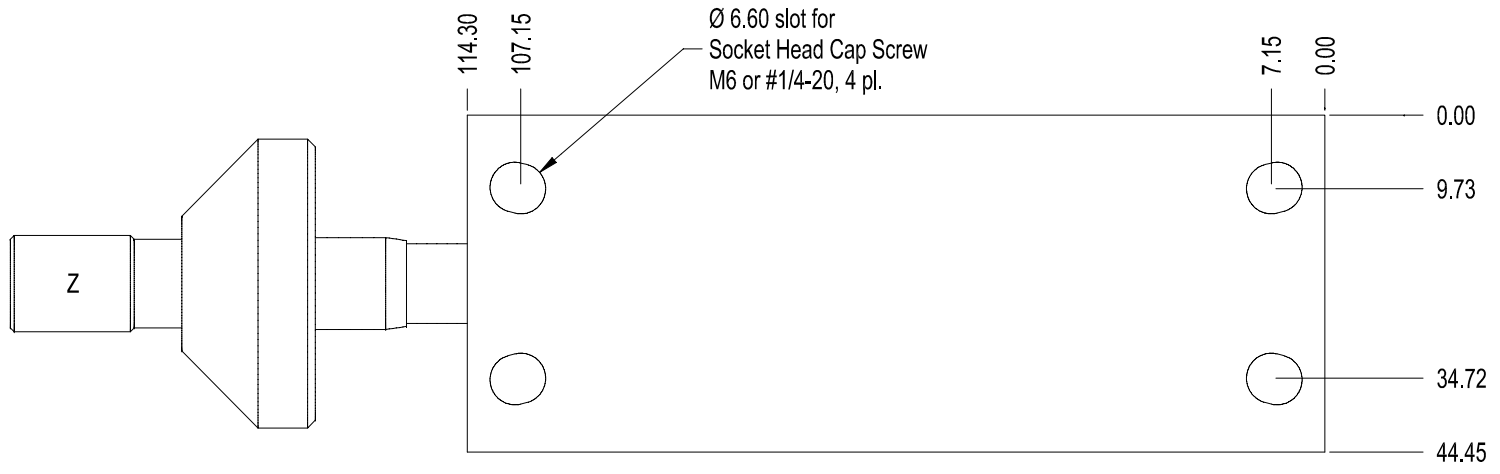


M2.5 x 0.45
tapped holes,
5.0 dp., 8 pl.

NOTE: Stage is shown in mid-position of travel
 Z-Axis travel: +/-6.35mm (0.250"), 10um/div.
 X&Y Axis travel: +/-1.27mm (0.050")

LUMINOS INDUSTRIES LTD				
I3005-SI XYZ Positioner (manual) - Outline (Entire Stage)				
SIZE A	VIEW	DWG NO.	PT048505A	REV A
SCALE 0.75	FILE	PT0485A.cdk	SHEET 1/3	

Material: _____
 Finish: _____ Tolerance: _____

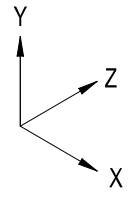
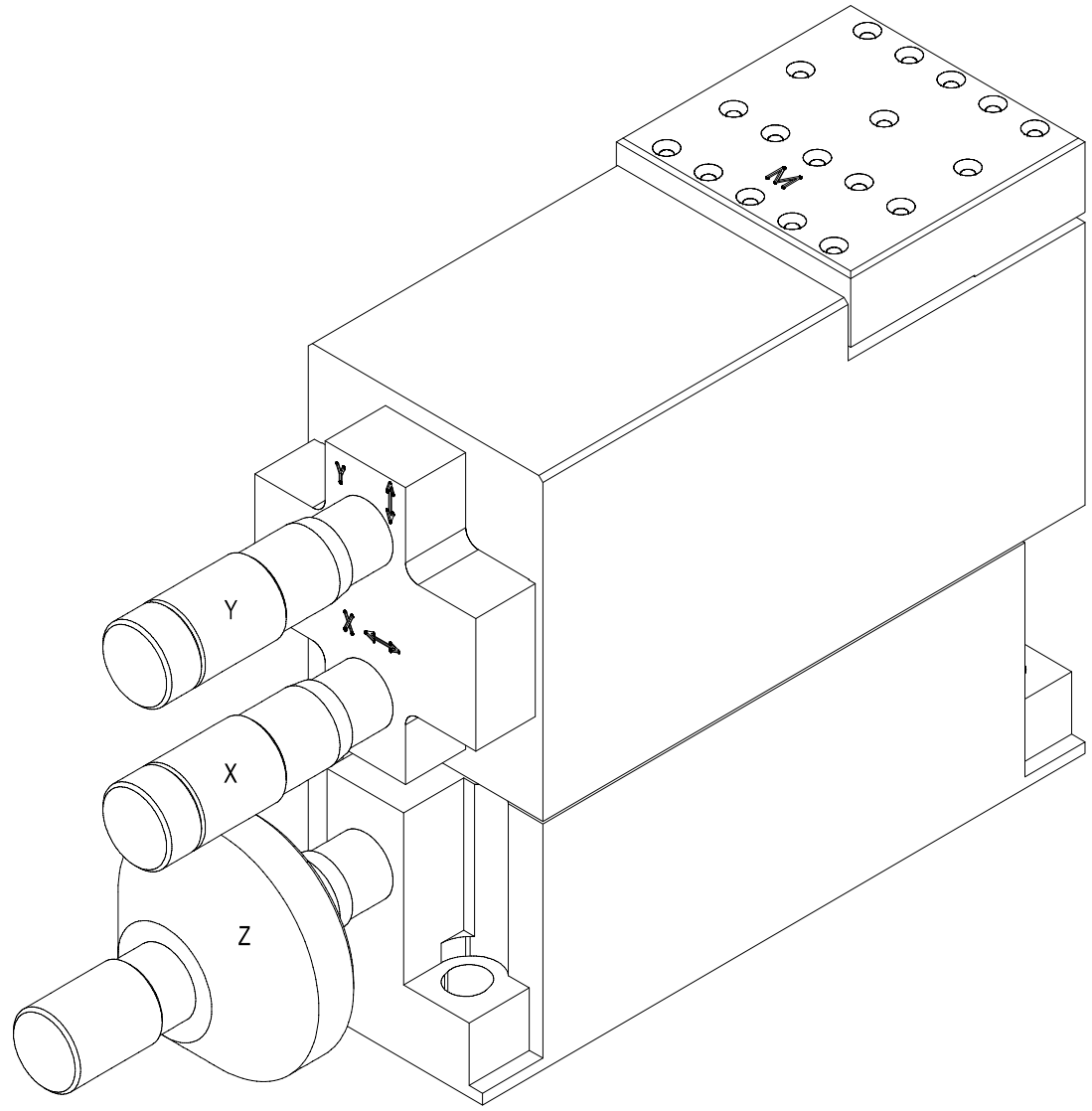


LUMINOS INDUSTRIES LTD

I3005-SI XYZ Positioner (manual) - Outline (Z-Axis stage only)

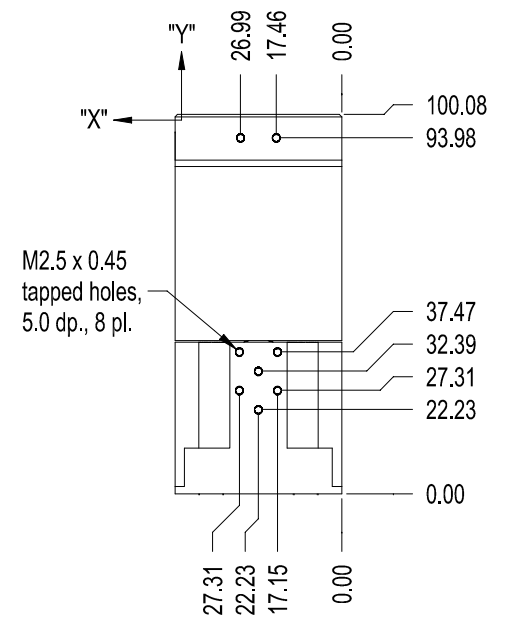
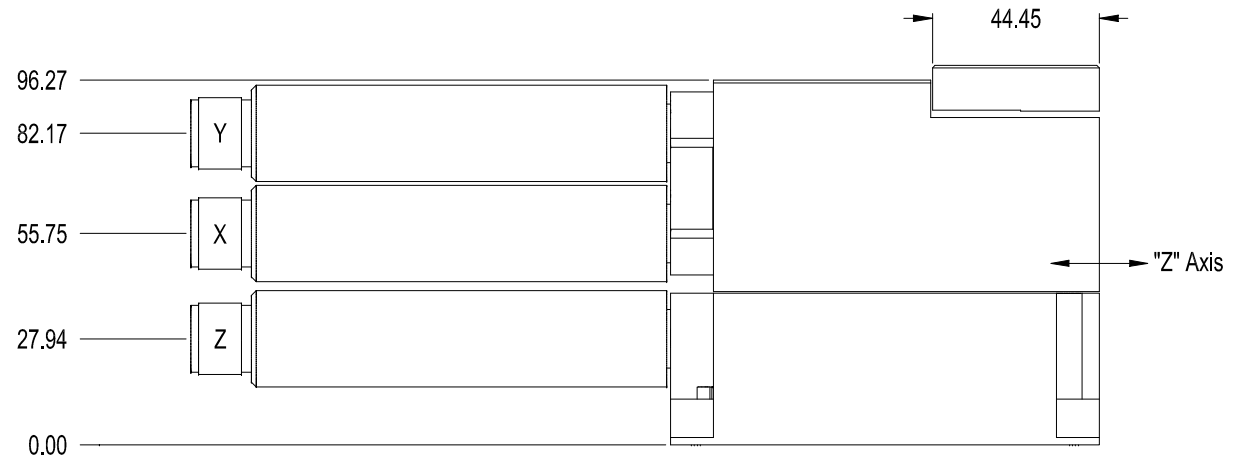
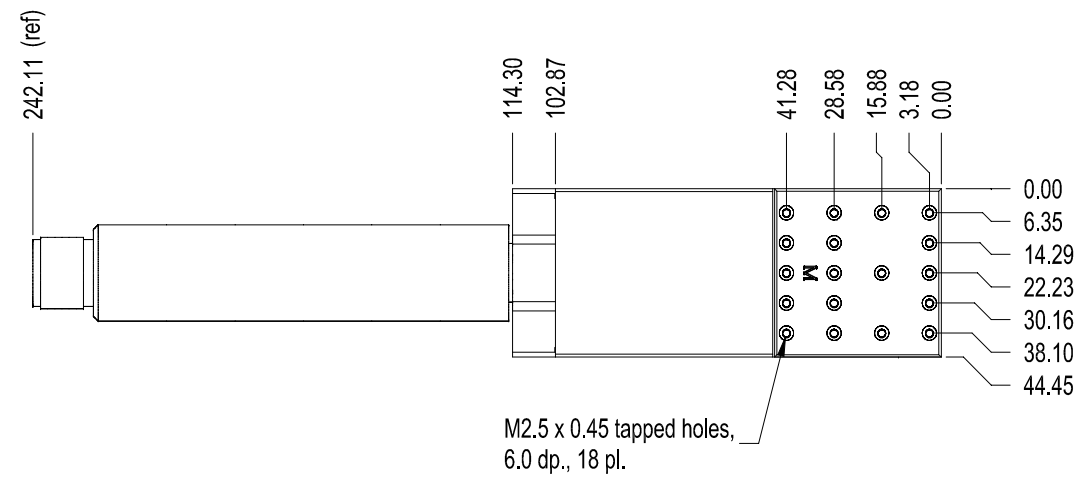
Material: _____
 Finish: _____ Tolerance: _____

SIZE A	VIEW	DWG NO.	PT048505A	REV A
SCALE 0.75	FILE	PT0485A.ckd	SHEET 2/3	



LUMINOS INDUSTRIES LTD				
I3005-SI XYZ Positioner (manual) - Perspective View				
SIZE A	VIEW	DWG NO.	PT048505A	REV A
SCALE 1	FILE	PT0485A.ckd	SHEET	3/3

Material:	
Finish:	Tolerance:



NOTE: Stage is shown in mid-position of travel
 Z-Axis travel: +/-6.35mm (0.250")
 X&Y Axis travel: +/-1.27mm (0.050")

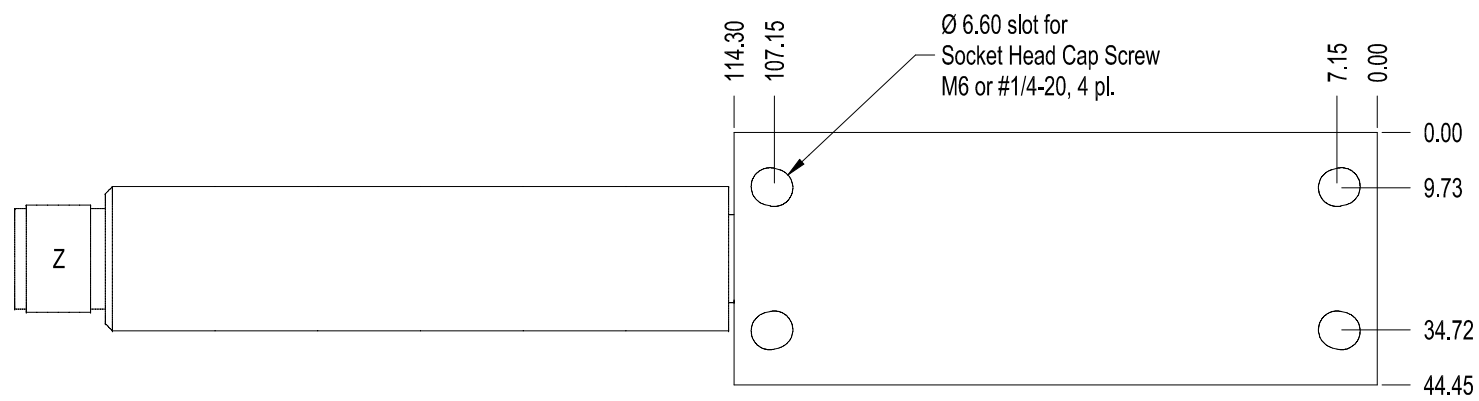
LUMINOS INDUSTRIES LTD

I3005-SI XYZ Positioner (stepper motor) - Outline (Entire Stage)

SIZE A	VIEW	DWG NO.	PT048506A	REV A
SCALE 0.5	FILE	PT0485A.ckd	SHEET 1/3	

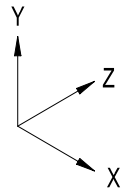
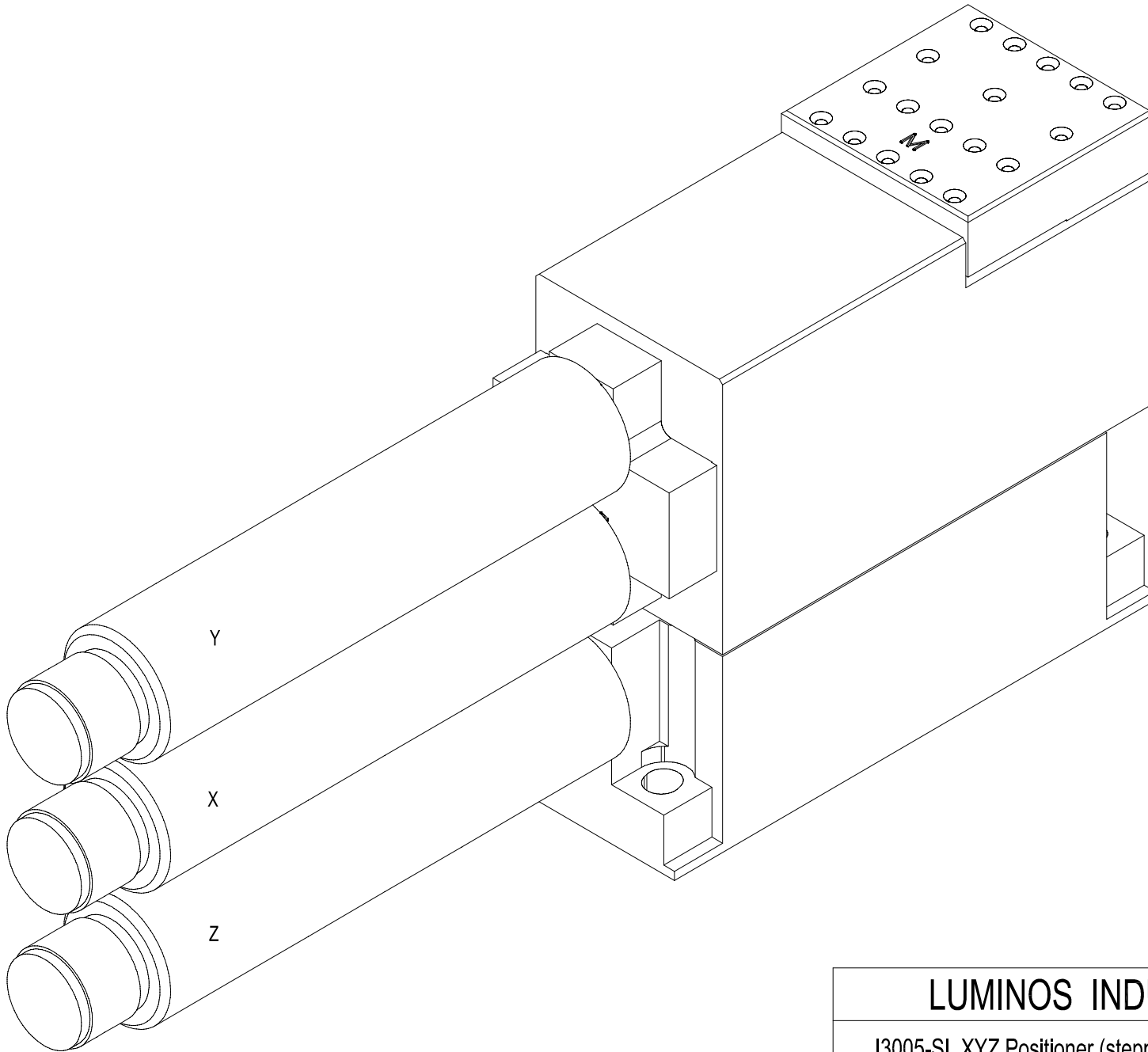
Material: _____

Finish: _____ Tolerance: _____



LUMINOS INDUSTRIES LTD			
I3005-SI XYZ Positioner (stepper motor) - Z-Axis stage only			
SIZE A	VIEW	DWG NO.	PT048506A
SCALE 0.75	FILE	PT0485A.ckd	SHEET 2/3
REV A			

Material:	
Finish:	Tolerance:



LUMINOS INDUSTRIES LTD

I3005-SI XYZ Positioner (stepper motor) - Perspective View

Material: _____
 Finish: _____ Tolerance: _____

SIZE A	VIEW	DWG NO.	PT048506A	REV A
SCALE 1	FILE	PT0485A.ckd	SHEET 3/3	