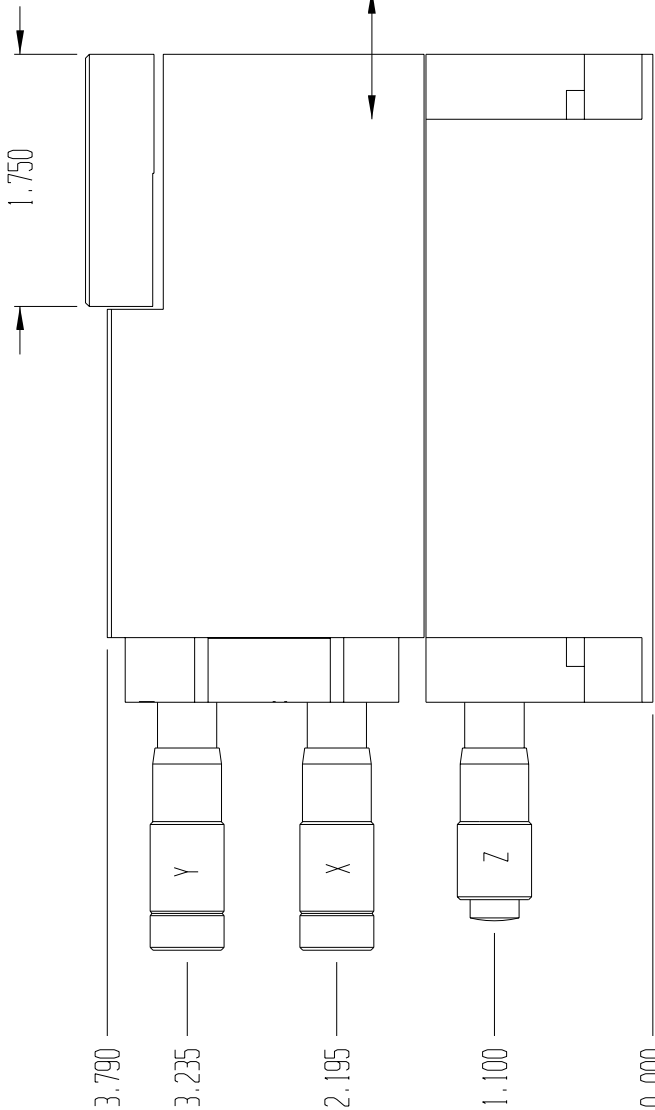
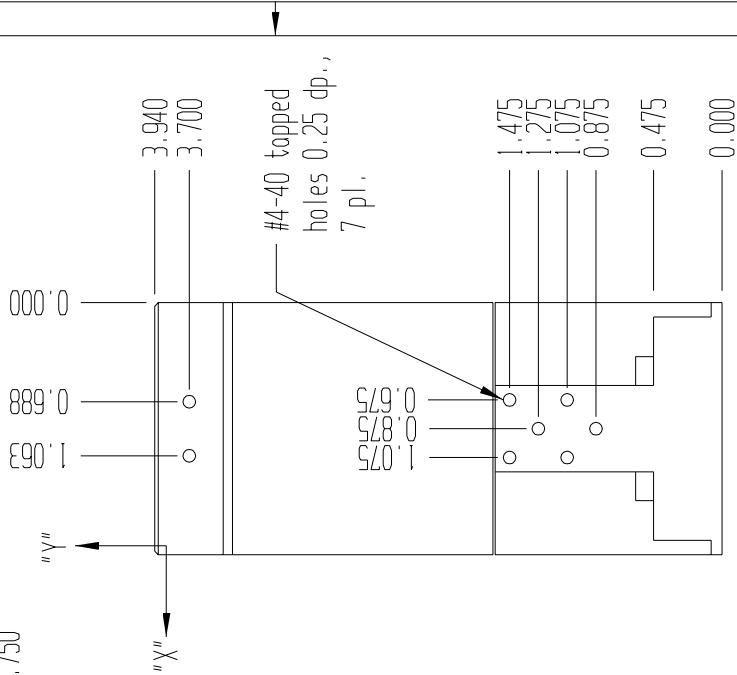
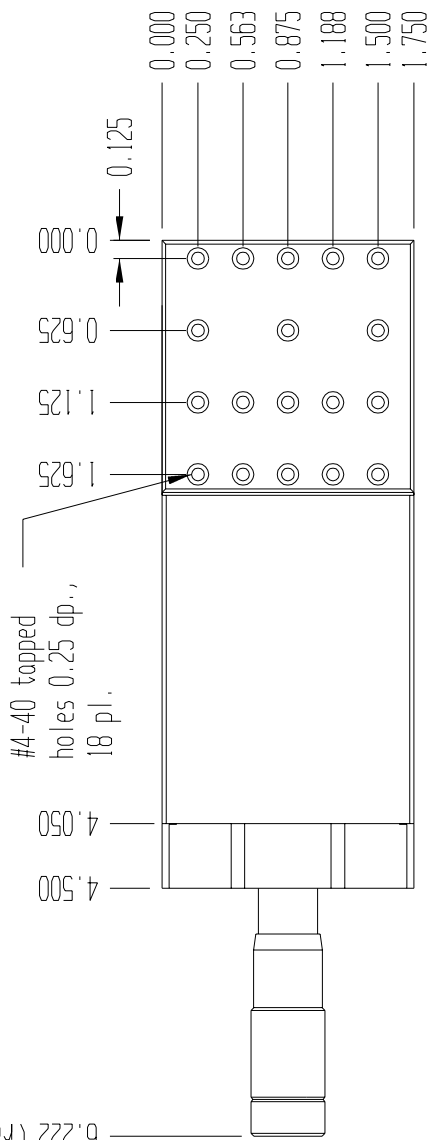


DESCRIPTION

REV Date: Jan 09, 03 APPROVED

6.222 (ref)



NOTE: Stage is shown in mid-position of travel
 Z-Axis travel: +/- 0.250" (6.35mm)
 X&Y Axis travel: +/- 0.050" (1.27mm)

LUMINDS INDUSTRIES LTD

13005 XYZ Positioner (manual) - Outline (Entire Stage)

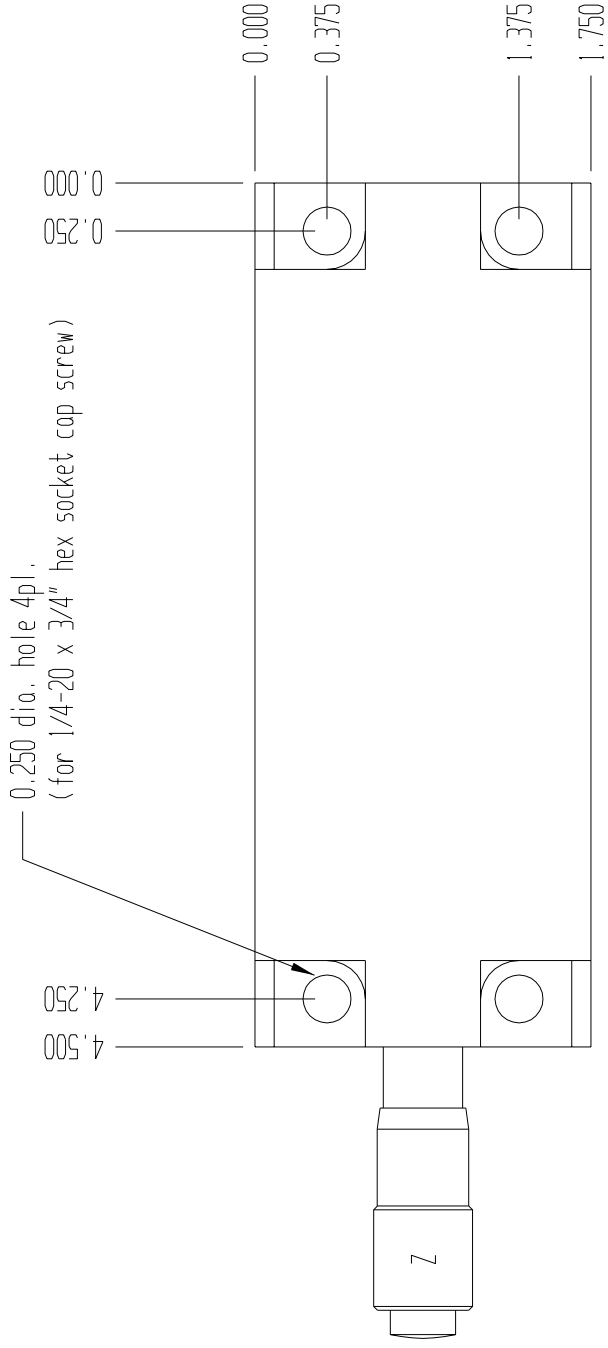
SIZE A	VIEW	DWG NO.	13005-01	REV A
SCALE 0.75	FILE	13005.prt	SHEET	1/3

Material:	
Finish:	Tolerance

DESCRIPTION

REV Date: Jan 09, 03

APPROVED



LUMINDS INDUSTRIES LTD

I3005 XYZ Positioner (manual) - Outline (Z-Axis stage only)

SIZE A VIEW DWG NO. I3005-01

SCALE 1 FILE I3005.prt SHEET 2/3

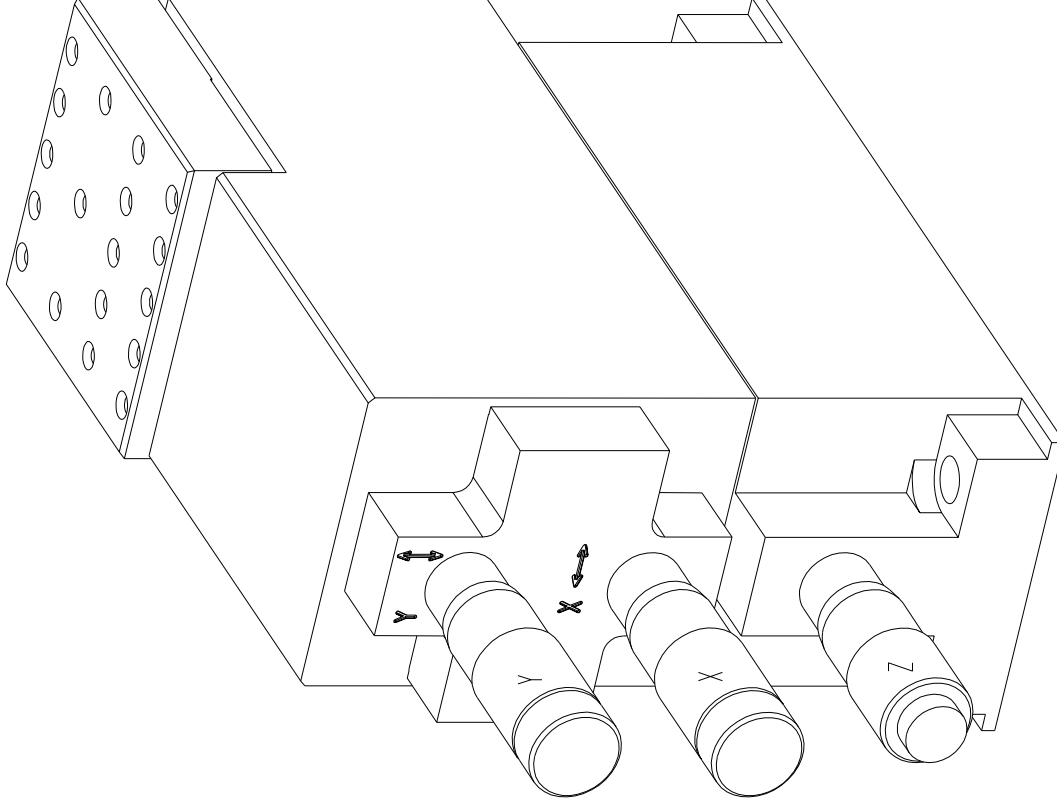
Material:

Finish: Tolerance

DESCRIPTION

REV Date: Jan 09, 03

APPROVED



LUMINDS INDUSTRIES LTD

I3005 XYZ Positioner (manual) - Perspective View

SIZE A VIEW DWG NO. I3005-01 REV A

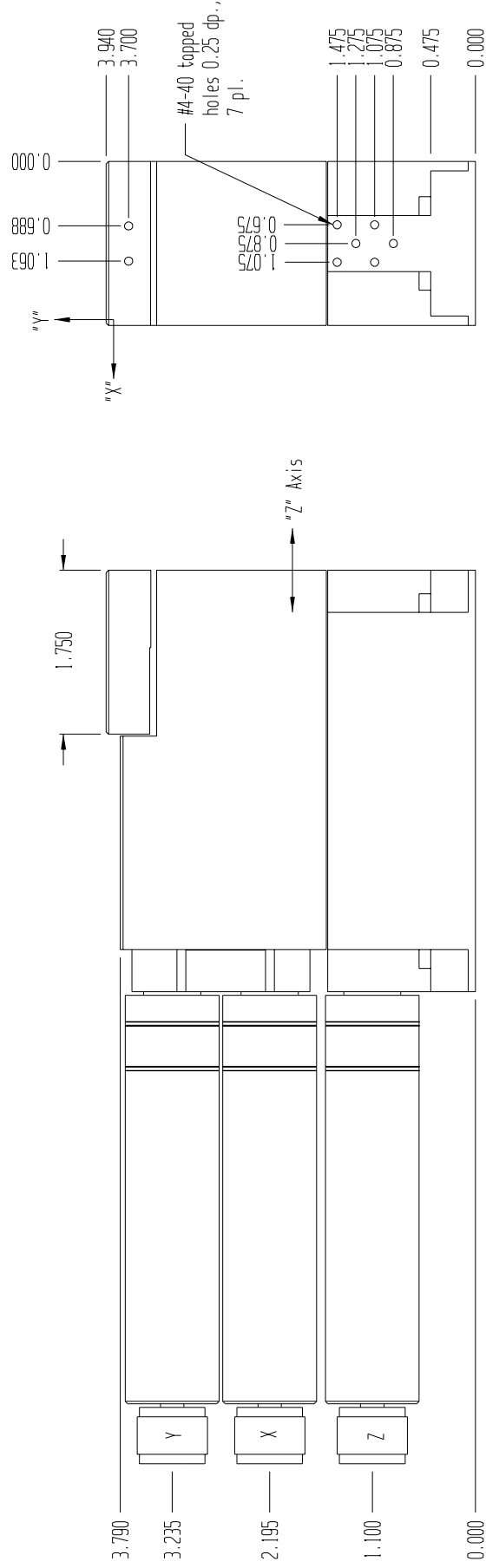
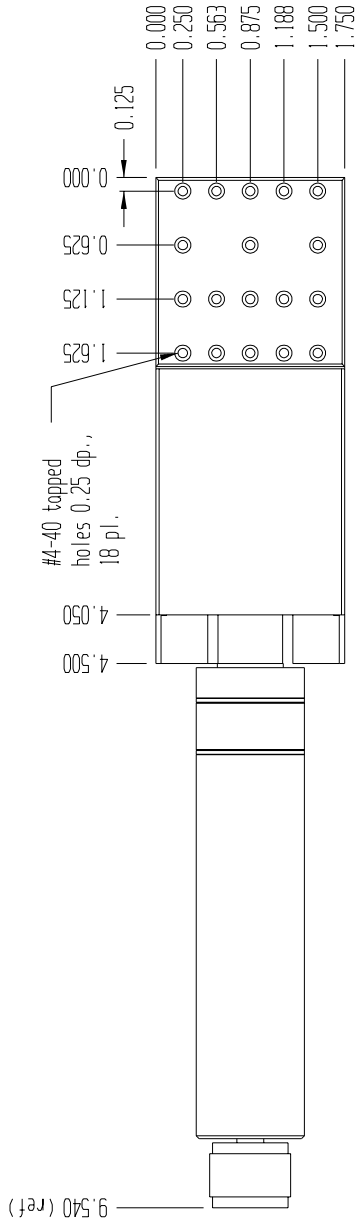
SCALE 1 FILE I3005.prt SHEET 3/3

Material:

Finish: Tolerance

DESCRIPTION

REV Date: Jan 09, 03 APPROVED



NOTE: Stage is shown in mid-position of travel
 Z-Axis travel: +/- 0.250" (6.35mm)
 X&Y Axis travel: +/- 0.050" (1.27mm)

LUMINDS INDUSTRIES LTD

I3005 XYZ Positioner (stepper motor) - Outline (Entire Stage)

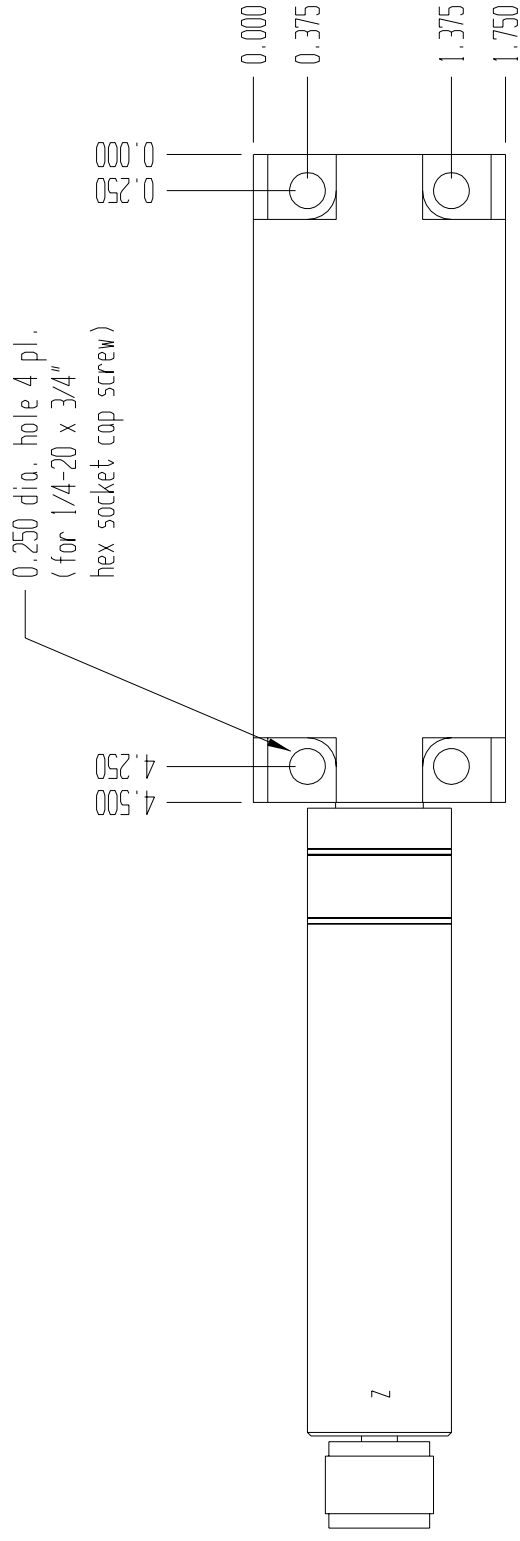
SIZE A	VIEW	DWG NO.	I3005-02	REV A
SCALE	0.5 FILE	I3005.prt	SHEET	1/3

Material:
 Finish: Tolerance

DESCRIPTION

REV Date: Jan 09, 03

APPROVED



LUMINDS INDUSTRIES LTD

I3005 XYZ Positioner (stepper motor) - Z-Axis stage only

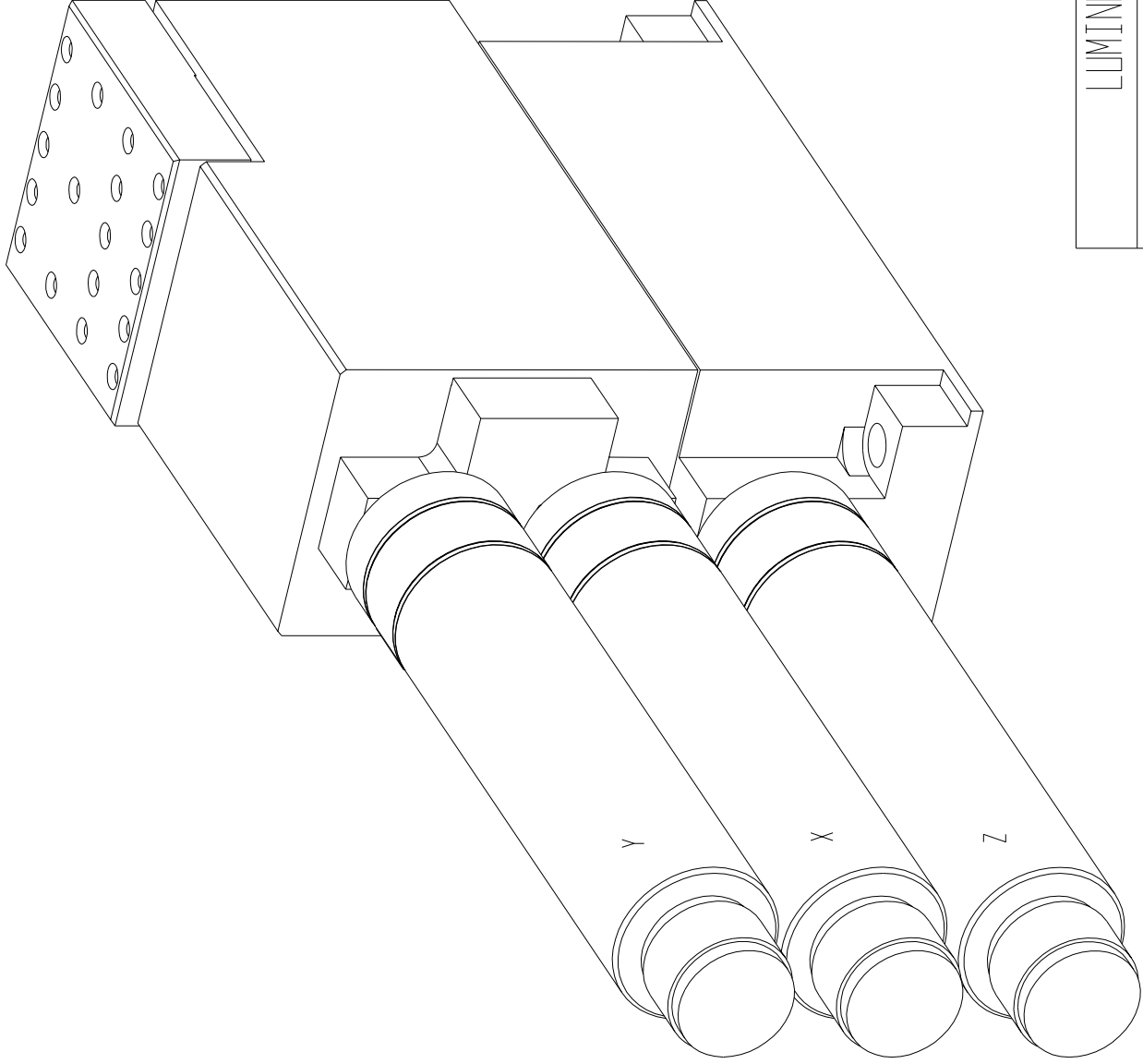
SIZE A VIEW DWG NO. I3005-02 REV A

SCALE 0.75 FILE I3005.prt SHEET 2/3

Material:
Finish: Tolerance

DESCRIPTION

REV Date: Jan 09, 03 APPROVED



LUMINDS INDUSTRIES LTD

I3005 XYZ Positioner (stepper motor) - Perspective View

SIZE A VIEW DWG NO. I3005-02 REV A

SCALE 1 FILE I3005.prt SHEET 3/3

Material:

Finish:

Tolerance