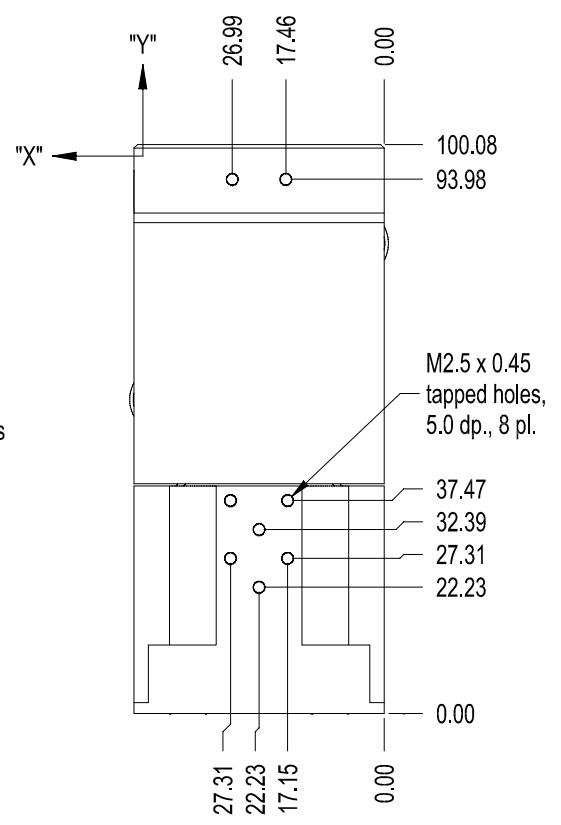


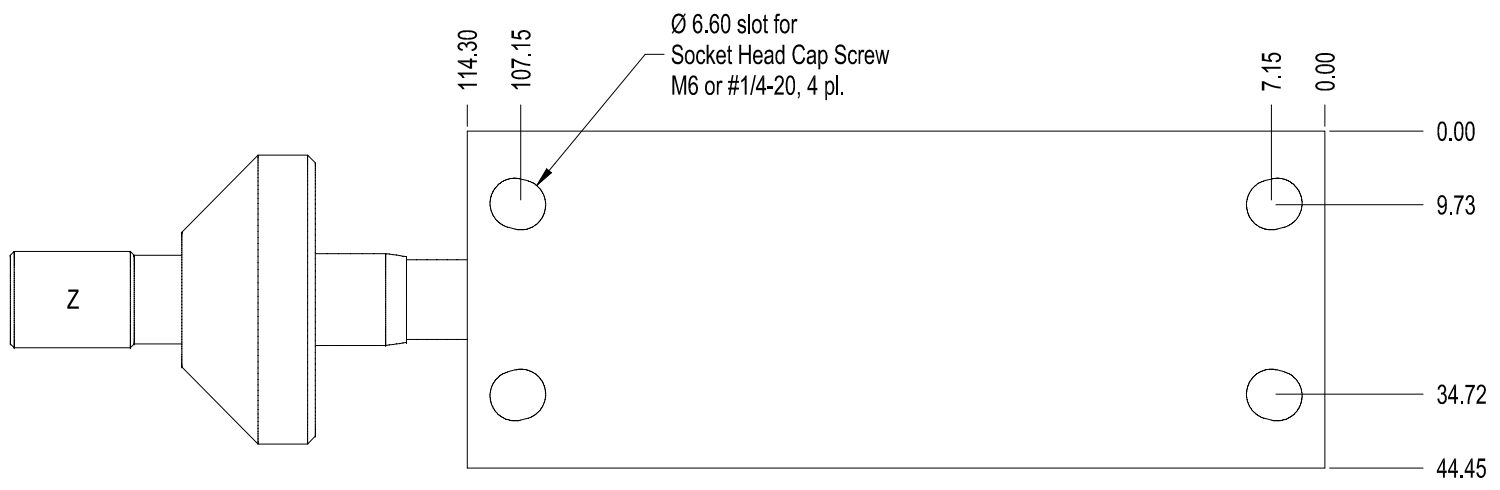
M2.5 x 0.45 tapped holes,
6.0 dp., 18 pl.



NOTE: Stage is shown in mid-position of travel
 Z-Axis travel: $\pm 6.35\text{mm}$ (0.250"), 10um/div.
 X&Y Axis travel: $\pm 1.02\text{mm}$ (0.040") (coarse adjustment)
 $\pm 250\mu\text{m}$ (0.010") (fine adjustment)

LUMINOS INDUSTRIES LTD				
I3000-SI XYZ Positioner (manual) - Outline (Entire Stage)				
SIZE A	VIEW	DWG NO.	PT048503A	REV A
SCALE 0.75	FILE	PT0485A.ckd	SHEET 1/3	

Material:	
Finish:	Tolerance:

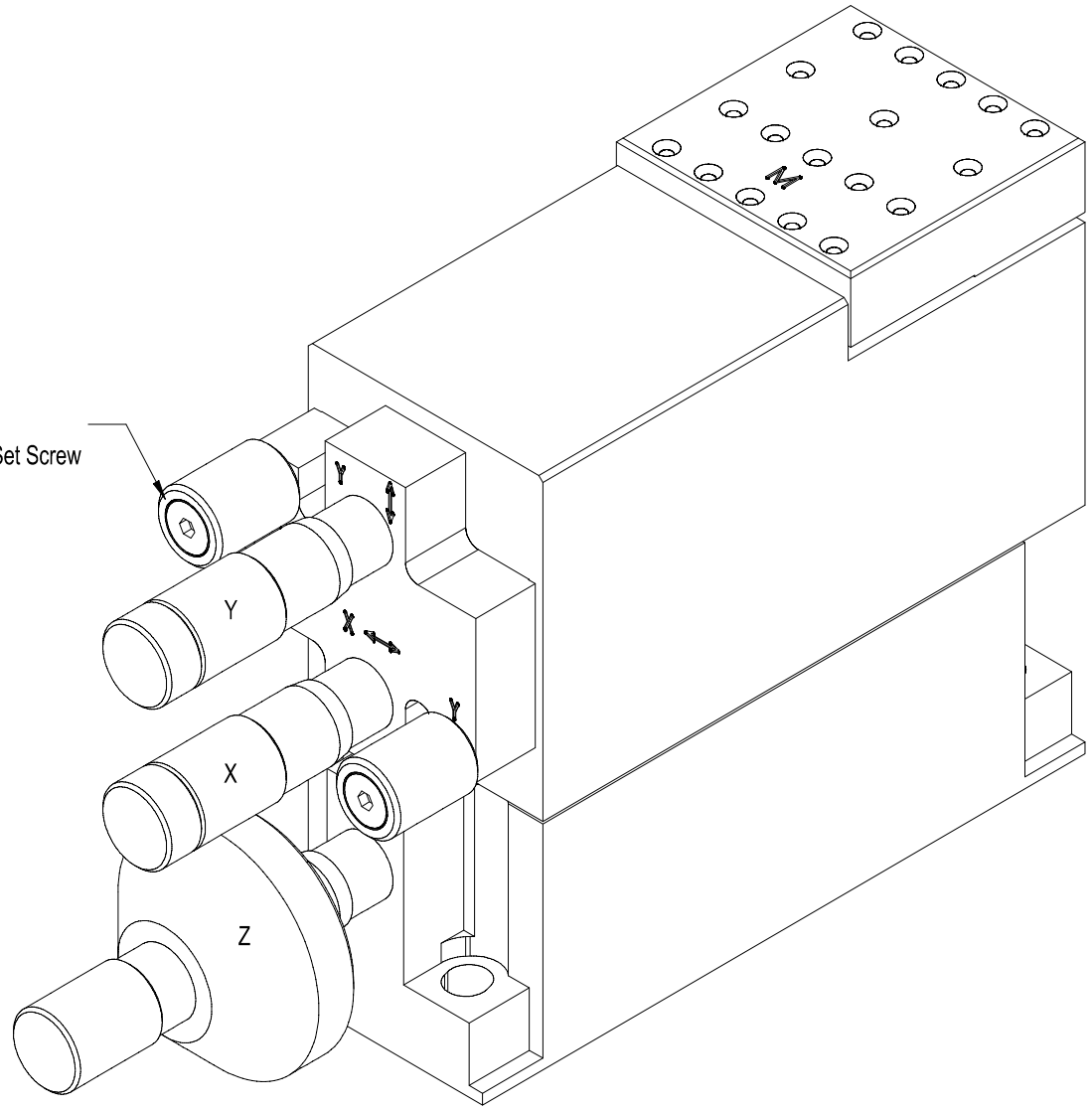


LUMINOS INDUSTRIES LTD

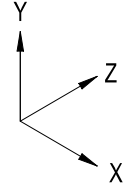
I3000-SI XYZ Positioner (manual) - Outline (Z-Axis stage only)

Material: _____
 Finish: _____ Tolerance: _____

SIZE A	VIEW	DWG NO.	PT048503A	REV A
SCALE 0.75	FILE	PT0485A.ckd	SHEET 2/3	



Coarse Adjust
M5 x 0.8 Hex Socket Set Screw

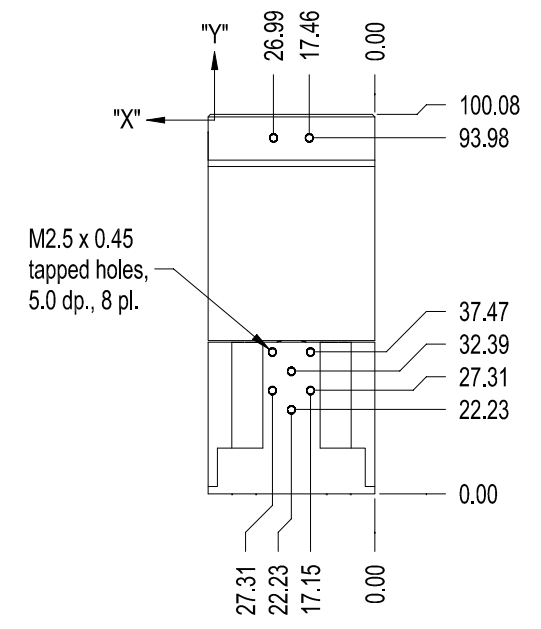
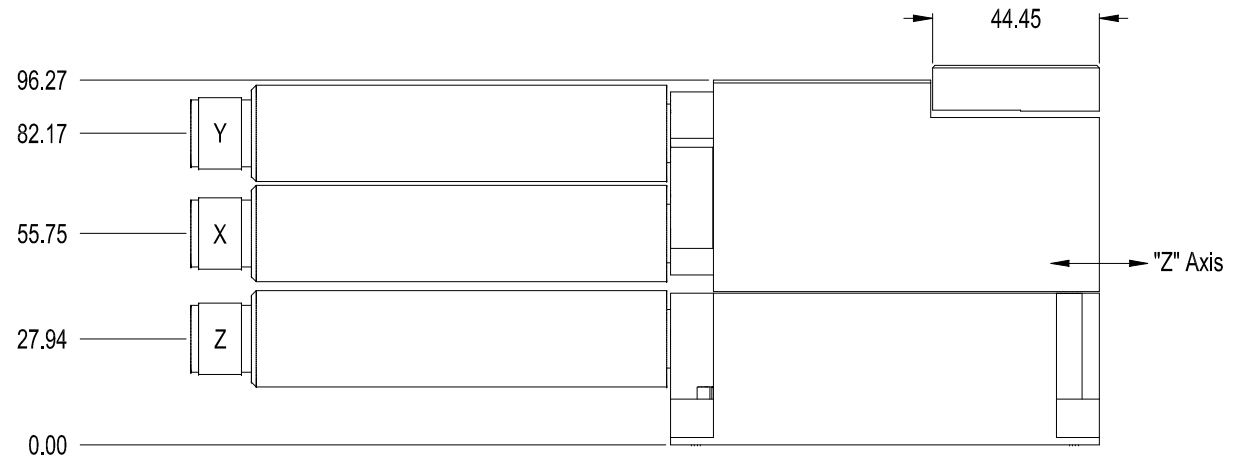
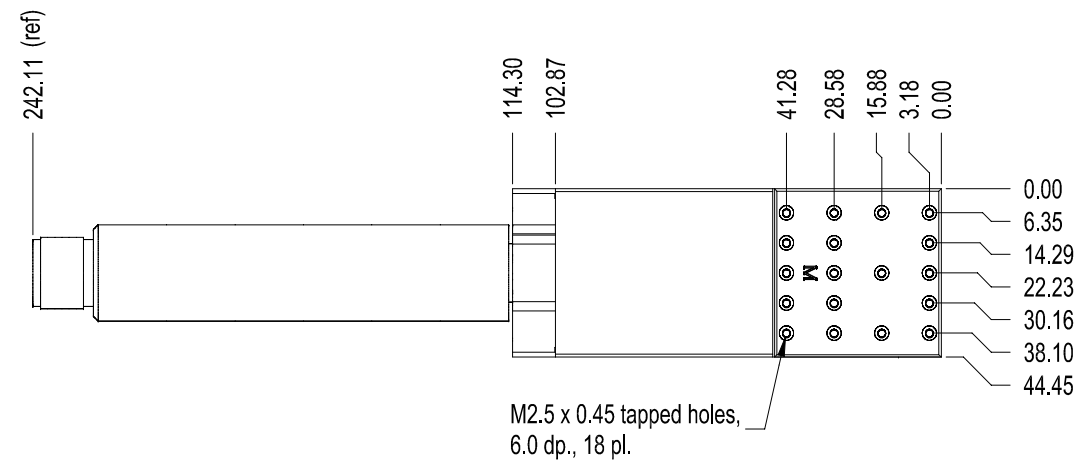


LUMINOS INDUSTRIES LTD

I3000-SI XYZ Positioner (manual) - Perspective View

Material:
Finish: Tolerance:

SIZE A	VIEW	DWG NO.	PT048503A	REV A
SCALE 1	FILE	PT0485A.ckd	SHEET 3/3	



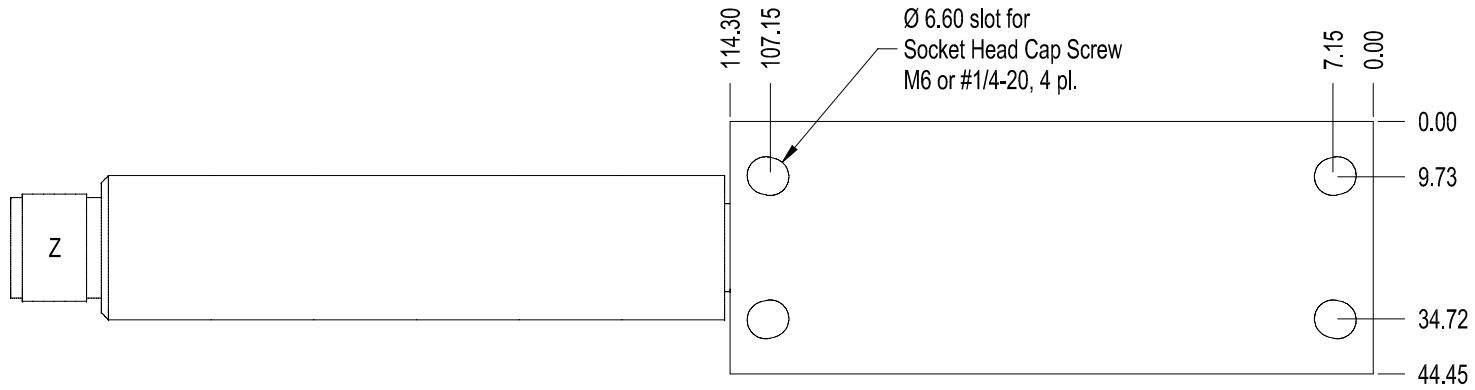
NOTE: Stage is shown in mid-position of travel
 Z-Axis travel: $\pm 6.35\text{mm}$ (0.250")
 X&Y Axis travel: $\pm 1.02\text{mm}$ (0.040") (coarse adjustment)
 $\pm 250\mu\text{m}$ (0.010") (fine adjustment)

LUMINOS INDUSTRIES LTD

I3000-SI XYZ Positioner (stepper motor) - Outline (Entire Stage)

Material:	
Finish:	Tolerance:

SIZE A	VIEW	DWG NO.	PT048504A	REV A
SCALE 0.5	FILE	PT0485A.ckd	SHEET 1/3	

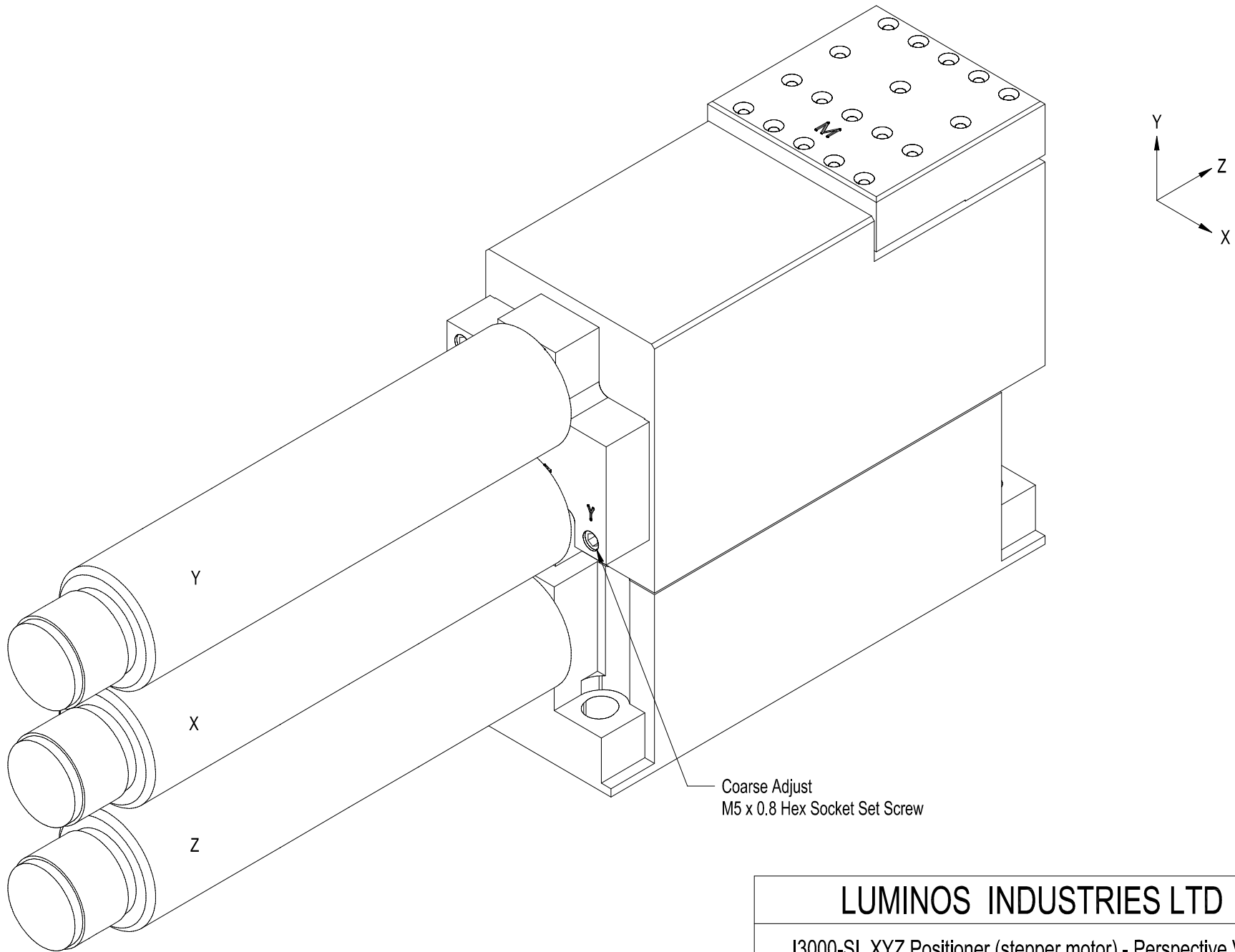


LUMINOS INDUSTRIES LTD

I3000-SI XYZ Positioner (stepper motor) - Z-Axis stage only

Material:
Finish: Tolerance:

SIZE A	VIEW	DWG NO.	PT048504A	REV A
SCALE 0.75	FILE	PT0485A.ckd	SHEET 2/3	



Coarse Adjust
M5 x 0.8 Hex Socket Set Screw

LUMINOS INDUSTRIES LTD

I3000-SI XYZ Positioner (stepper motor) - Perspective View

Material: _____
 Finish: _____ Tolerance: _____

SIZE A	VIEW	DWG NO.	PT048504A	REV A
SCALE 1	FILE	PT0485A.ckd	SHEET 3/3	