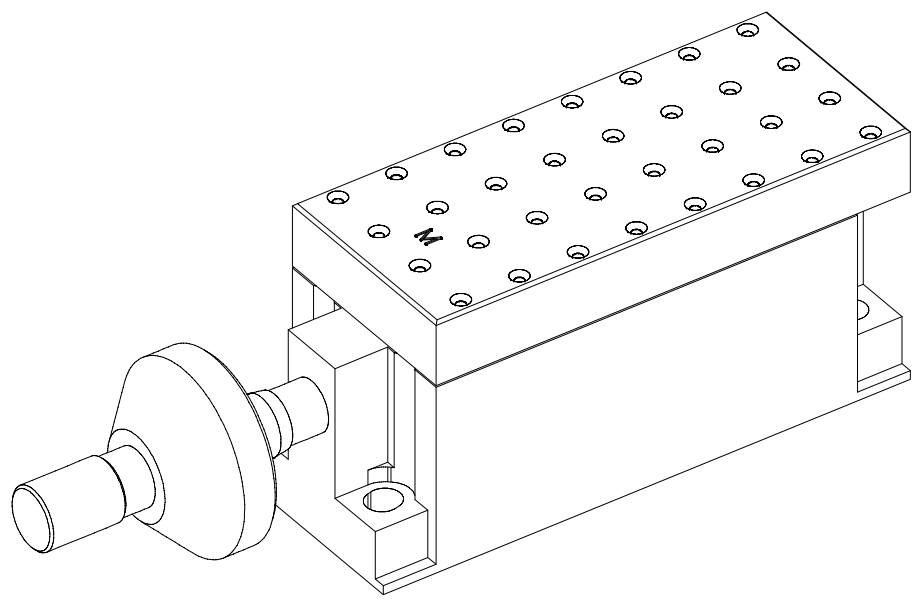
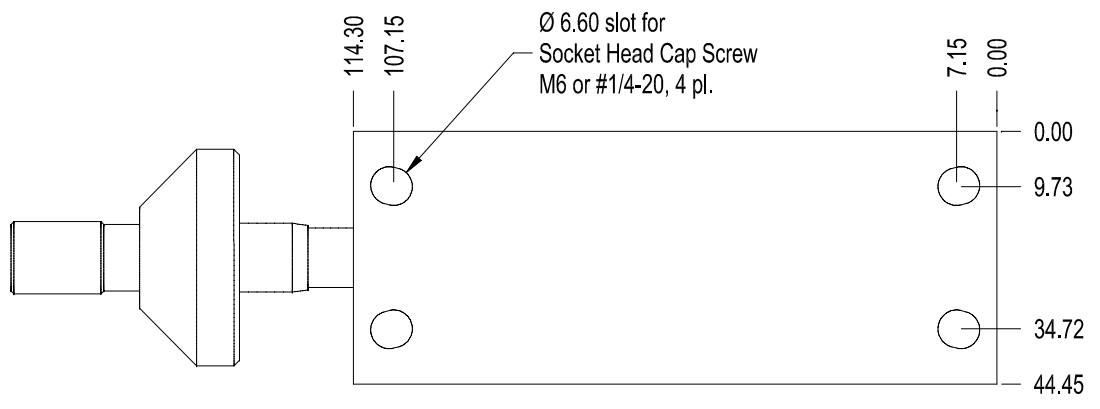


NOTE: Stage is shown in mid-position of travel
Z-Axis travel: $\pm 6.35\text{mm}$ (0.250"), 10um/div.

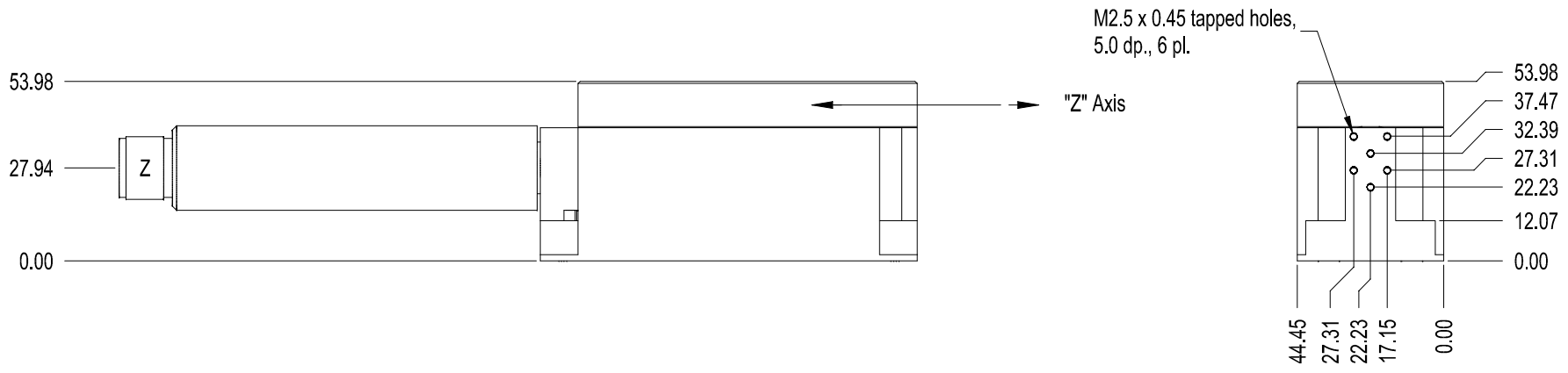
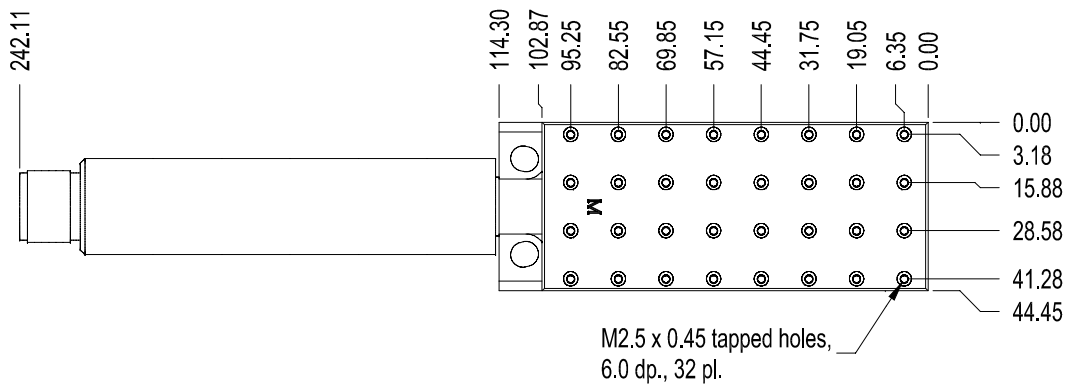
LUMINOS INDUSTRIES LTD				
I1000-SI 1-Axis Positioner (manual) - Outline (Entire Stage)				
SIZE A	VIEW	DWG NO.	PT048501A	REV A
SCALE 0.75	FILE	PT0485A.ckd	SHEET 1/2	

Material:	
Finish:	Tolerance:



LUMINOS INDUSTRIES LTD				
I1000-SI 1-Axis Positioner - Bottom Outline & Perspective View				
SIZE A	VIEW	DWG NO.	PT048501A	REV A
SCALE 0.75	FILE	PT0485A.ckd	SHEET 2/2	

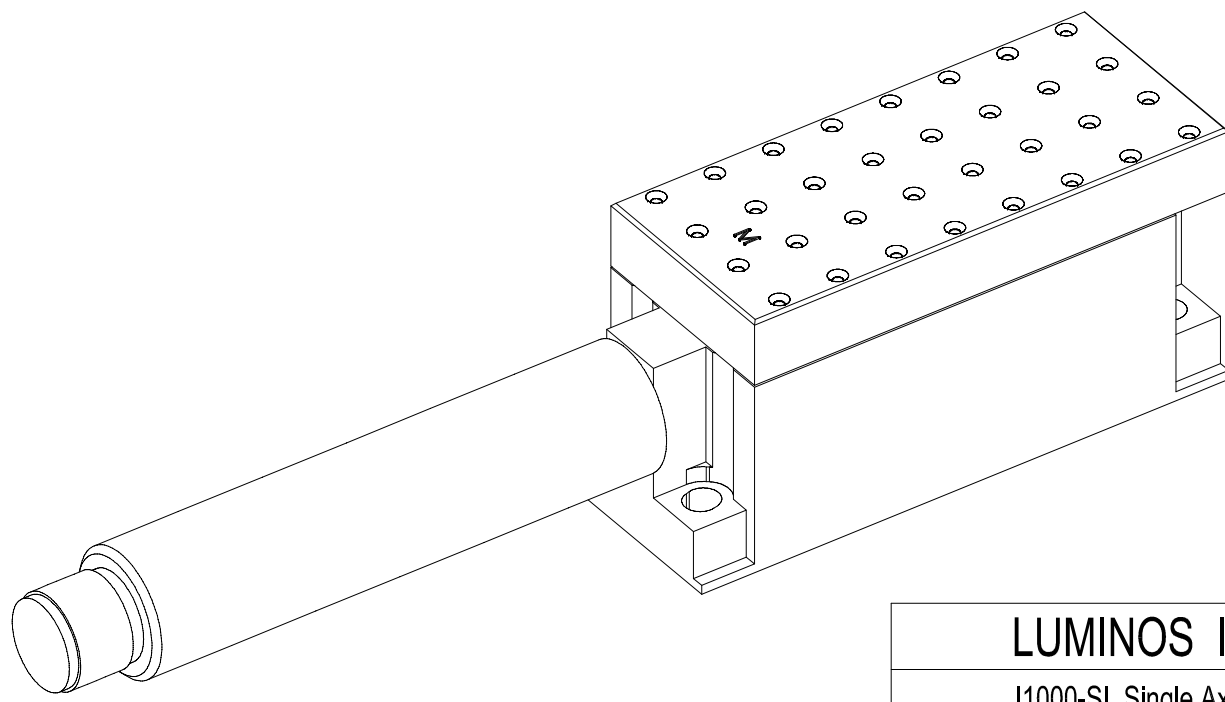
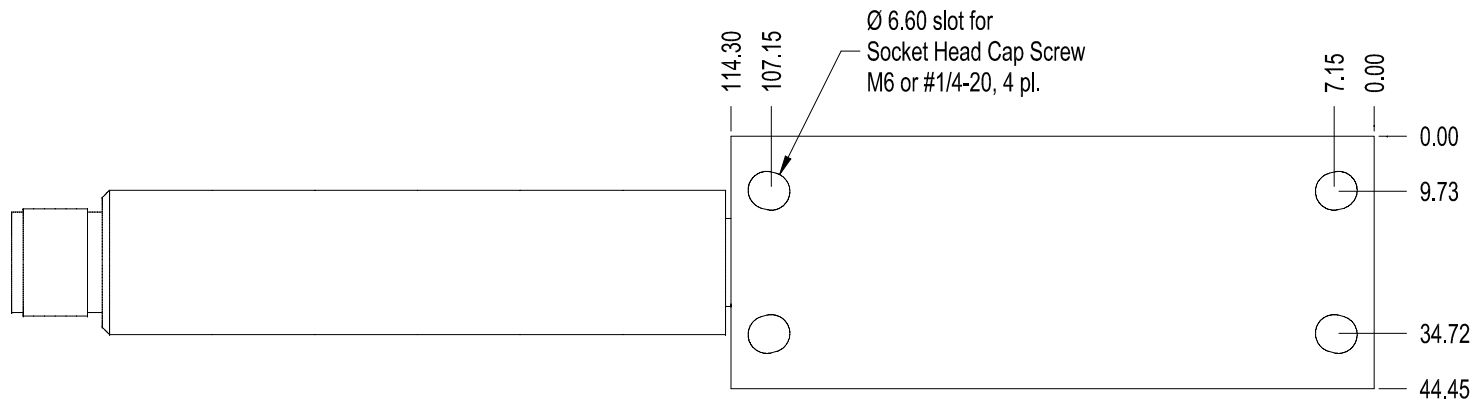
Material:	
Finish:	Tolerance:



NOTE: Stage is shown in mid-position of travel
 Z-Axis travel: ± 6.35mm (0.250")

LUMINOS INDUSTRIES LTD				
11000-SI Single Axis Positioner (stepper motor) - Outline				
SIZE A	VIEW	DWG NO.	PT048502A	REV A
SCALE 0.5	FILE	PT0485A.ckd	SHEET 1/2	

Material:	
Finish:	Tolerance:



LUMINOS INDUSTRIES LTD

I1000-SI Single Axis Positioner (stepper motor)
Bottom Outline & Perspective View

Material:
Finish: Tolerance:

SIZE A	VIEW	DWG NO.	PT048502A	REV A
SCALE 0.75	FILE	PT0485A.ckd	SHEET 2/2	