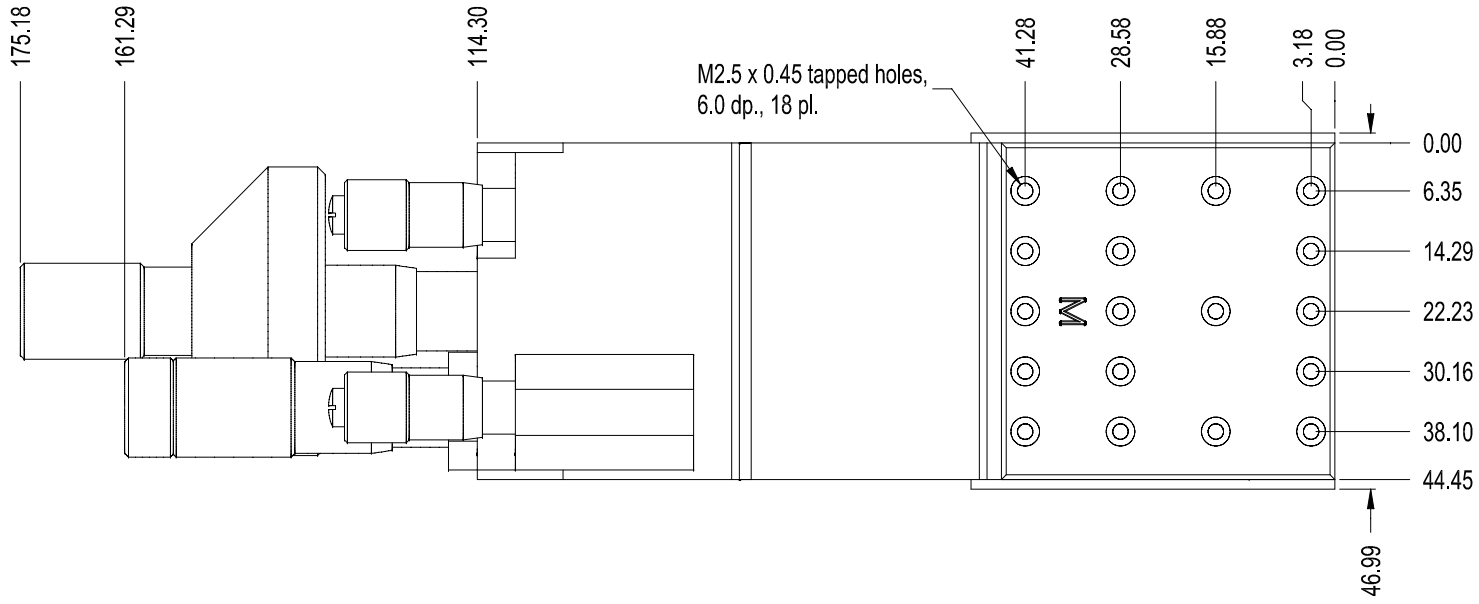


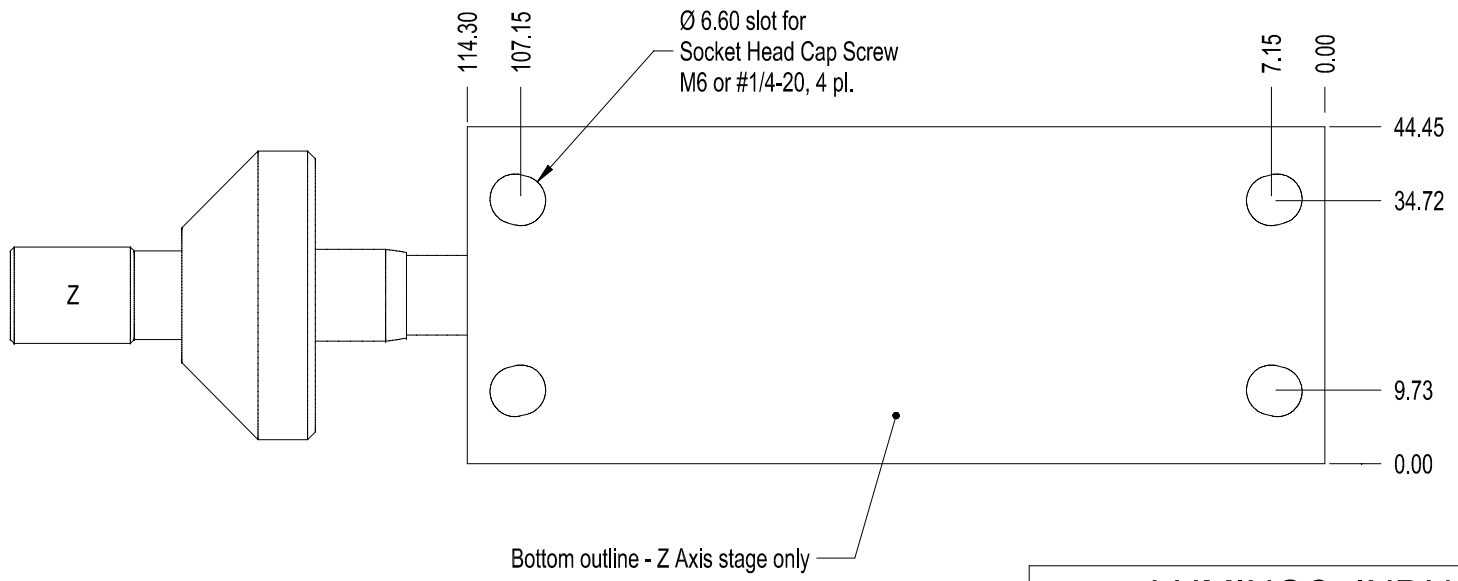
NOTE: Stage is shown in mid-position of travel  
 Z-Axis travel:  $\pm 6.35\text{mm}$  (0.250"), 10um/div.  
 Roll travel:  $\pm 1.5^\circ$ , 10 arc-sec/div., 6 turns/degree  
 Yaw & Pitch travel:  $\pm 1.5^\circ$ , 30 arc-sec/div., 4 turns/degree

<b>LUMINOS INDUSTRIES LTD</b>				
ZRY4000-SI Positioner (manual) - Front & End Outline				
SIZE A	VIEW	DWG NO.	PT048521A	REV A
SCALE 0.75	FILE	PT0485A.ckd	SHEET 1/3	

Material:	
Finish:	Tolerance:



Top View



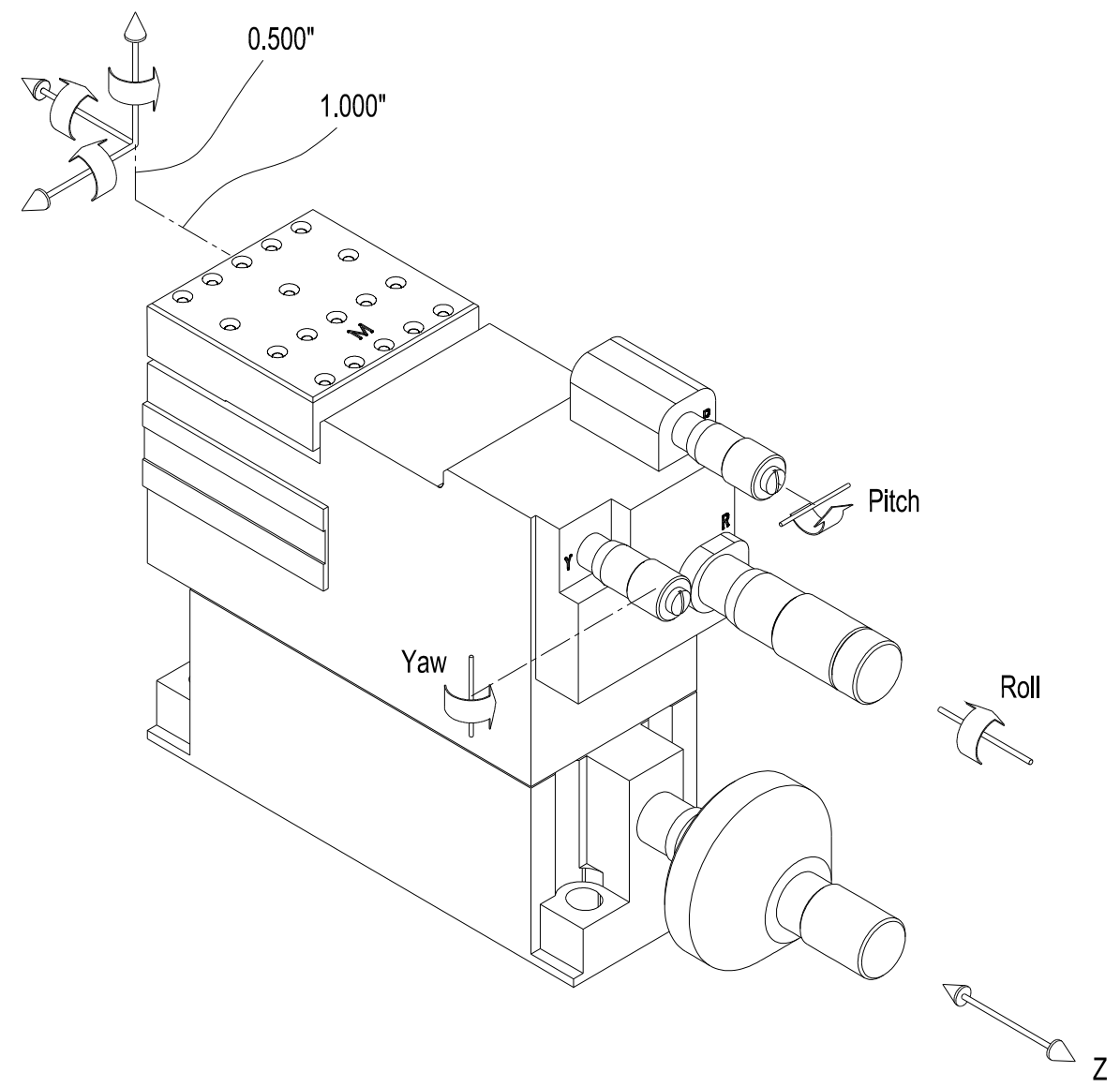
Bottom View

# LUMINOS INDUSTRIES LTD

ZRYP4000-SI Positioner (manual) - Outline Top & Bottom

Material: \_\_\_\_\_  
 Finish: \_\_\_\_\_ Tolerance: \_\_\_\_\_

SIZE A	VIEW	DWG NO.	PT048521A	REV A
SCALE 1	FILE	PT0485A.ckd	SHEET	2/3



<b>LUMINOS INDUSTRIES LTD</b>				
ZRYP4000-SI Positioner (manual) - Perspective View				
SIZE A	VIEW	DWG NO.	PT048521A	REV A
SCALE 1	FILE	PT0485A.ckd	SHEET 3/3	

Material:	
Finish:	Tolerance: