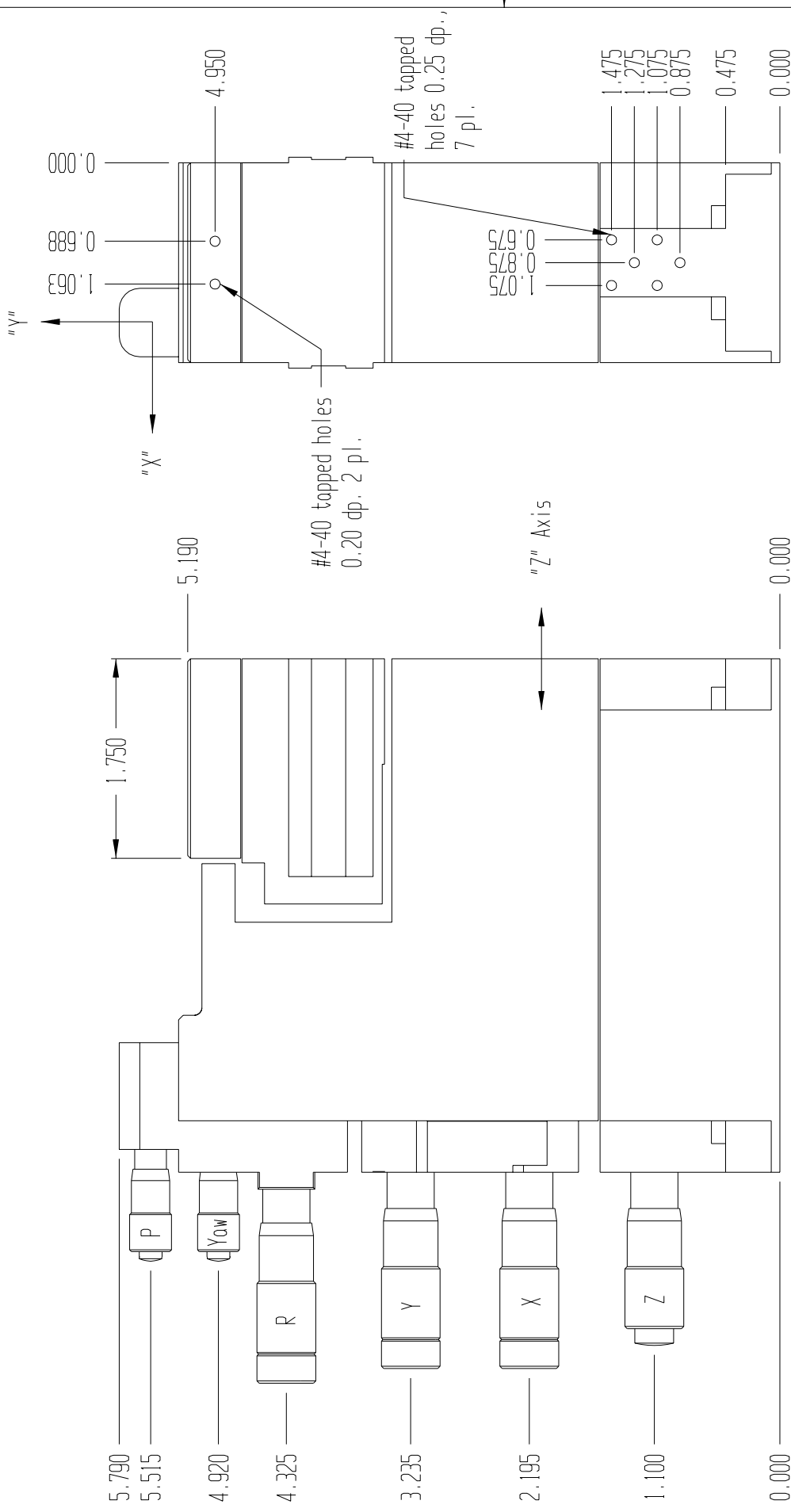


PKG Start Date:

REV Date: Jan 09, 03

APPROVED



NOTE: Stage is shown in mid-position of travel  
 Z-Axis travel: +/- 0.250" (6.35mm)  
 X&Y Axis travel: +/- 0.040" (1.02mm) (coarse adjustment)  
 +/- 0.010" (250um) (fine adjustment)  
 Roll, Yaw & Pitch: +/- 1.5° each axis

LUMINDS INDUSTRIES LTD

16000 XYZRYP Positioner (manual) - Front & End Out line

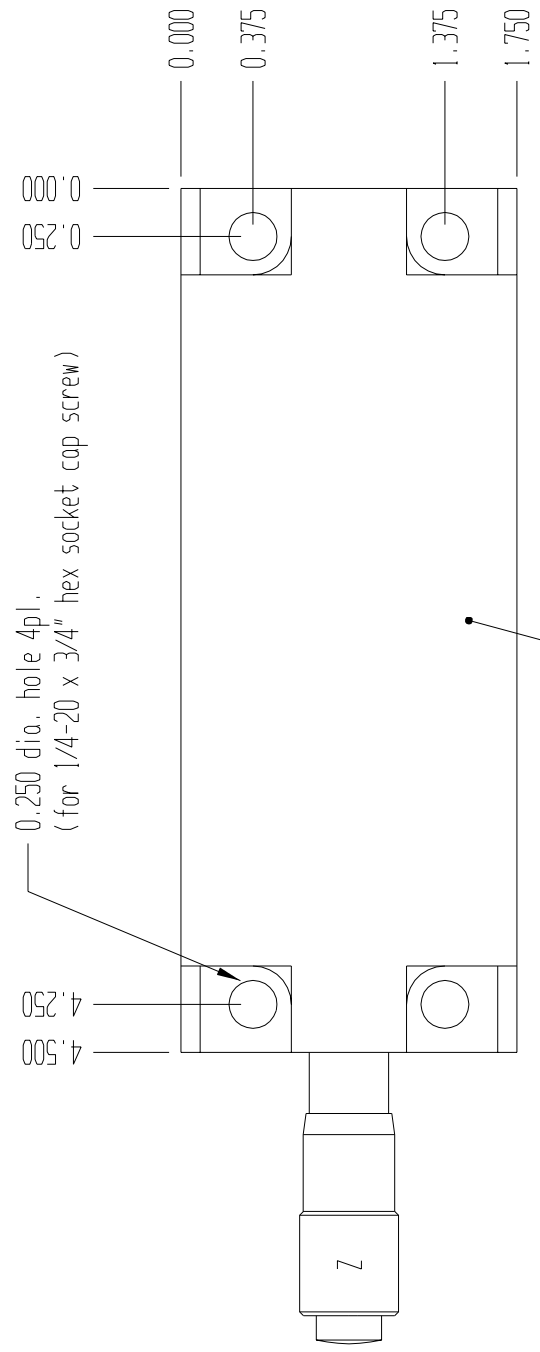
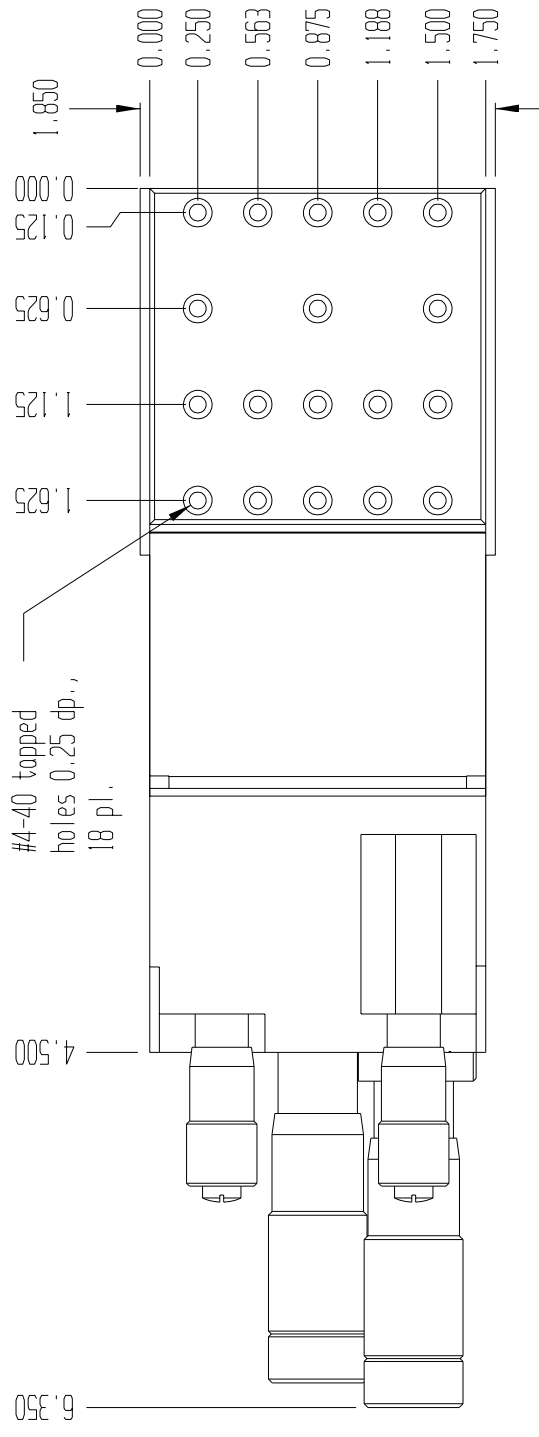
SIZE A	VIEW	DWG NO.	REV
SCALE 0.75	FILE	I6000.prt	SHEET 1/3

Material:	Tolerance
Finish:	

DESCRIPTION

REV Date: Jan 09, 03

APPROVED



LUMINDS INDUSTRIES LTD

I6000 XYZRYP Positioner (manual)  
Outline Top & Bottom (Z-Axis stage only)

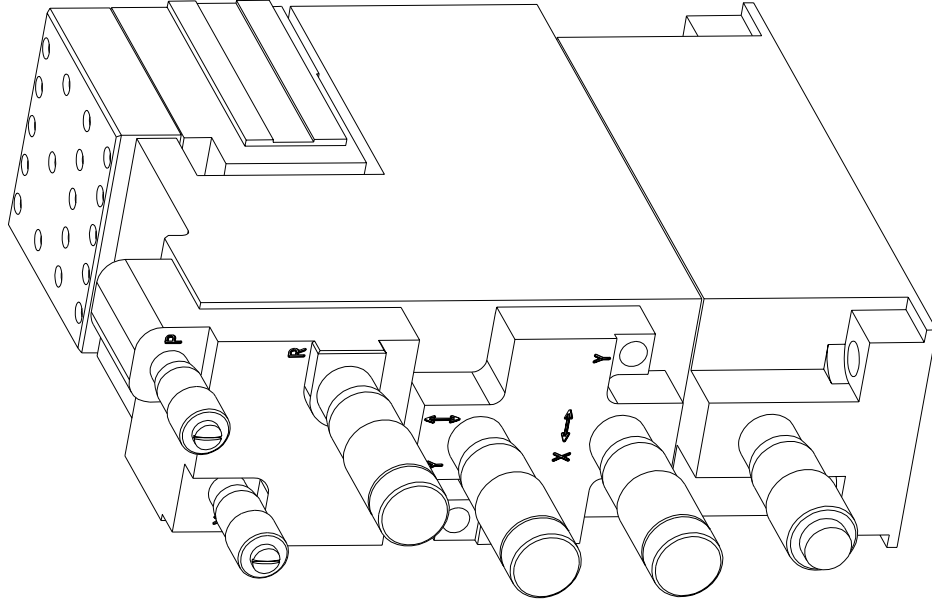
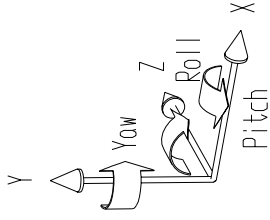
SIZE A	VIEW	DWG NO.	I6000-01	REV A
SCALE	1 FILE	I6000.prt	SHEET	2/3

Material:   
 Finish: Tolerance

PKG Start Date:

REV Date: Jan 09, 03

APPROVED



# LUMINDS INDUSTRIES LTD

I6000 XYZRYP Positioner (manual) - Perspective View

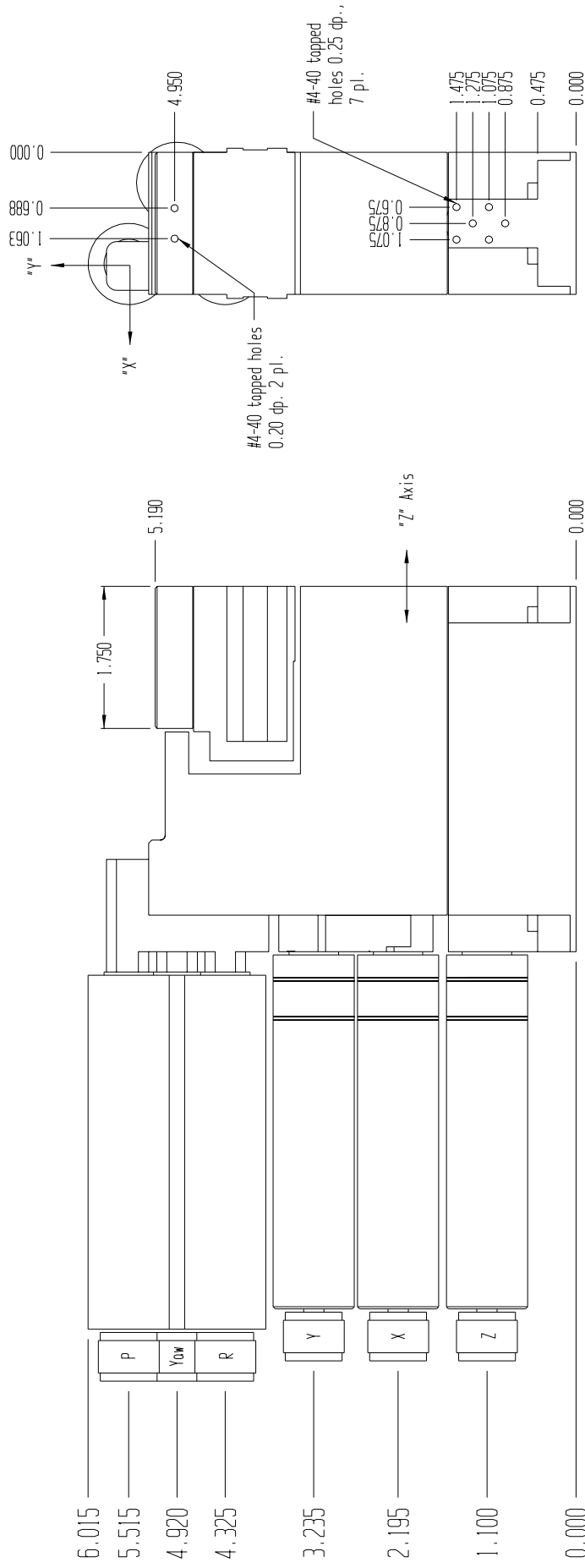
SIZE A	VIEW	DWG NO.	I6000-01	REV
SCALE	0.75	FILE	I6000.prt	SHEET 3/3

Material:	Tolerance
Finish:	

PKG Start Date:

REV Date: Jan 09, 03

APPROVED



NOTE: Stage is shown in mid-position of travel  
 Z-Axis travel: +/- 0.250" (6.35mm)  
 X&Y Axis travel: +/- 0.040" (1.02mm) (coarse adjustment)  
 +/- 0.010" (250um) (fine adjustment)  
 Roll, Yaw & Pitch: +/- 1.5° each axis

# LUMINDS INDUSTRIES LTD

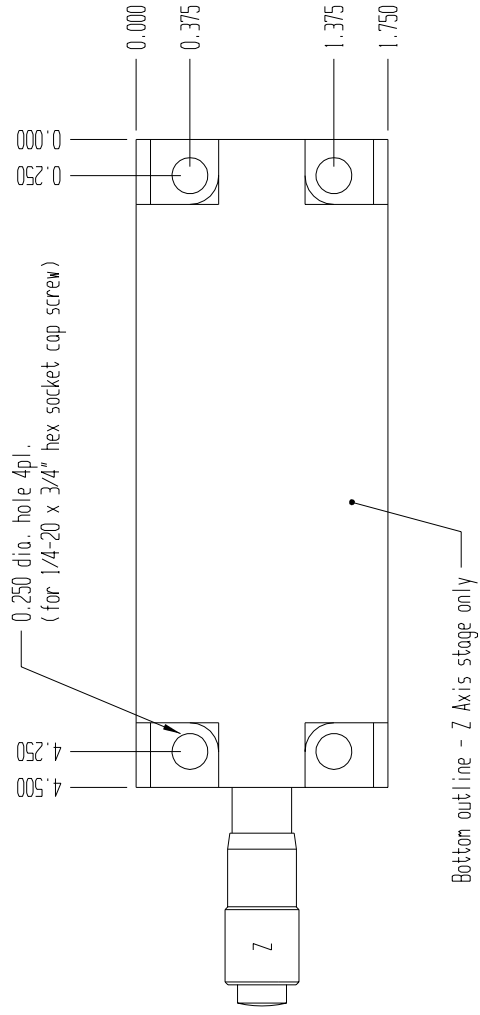
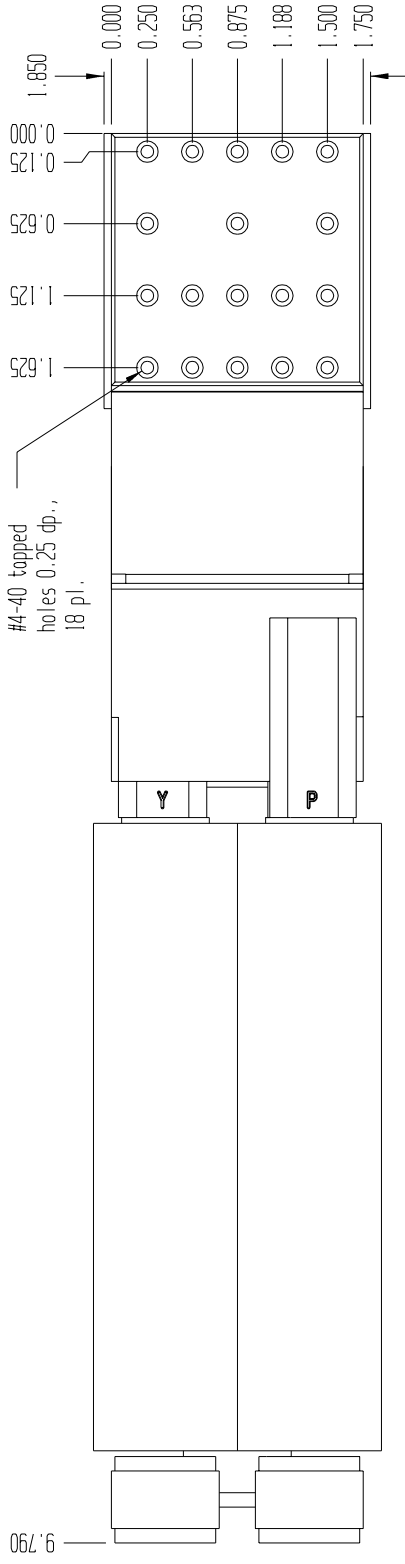
I6000 XYZRVP Positioner (stepper motor) - Front & End Outline

SIZE A	VIEW	DWG NO.	I6000-02	REV
SCALE 0.5	FILE	I6000.prt	SHEET	1/3

Material:	
Finish:	Tolerance

DESCRIPTION

REV Date: Jan 09, 03 APPROVED



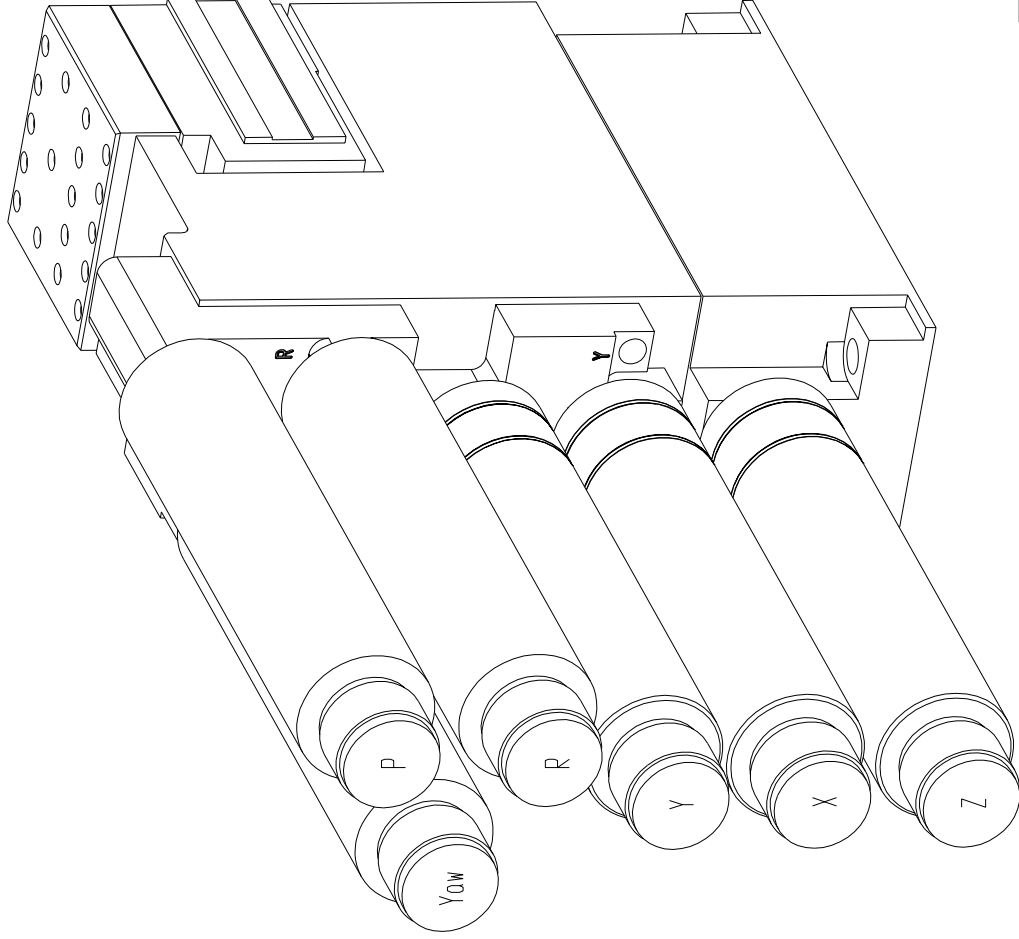
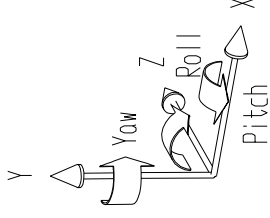
LUMINDS INDUSTRIES LTD

I6000 XYZRYP Positioner (stepper motor)  
Outline Top & Bottom (Z-Axis stage only)

SIZE A	VIEW	DWG NO.	I6000-02	REV A
SCALE 0.75	FILE	I6000.prt	SHEET	2/3

Material:   
 Finish: Tolerance

PKG Start Date: Jan 09, 03 APPROVED



LUMINDS INDUSTRIES LTD

I6000 XYZRP Positioner (stepper motor) - Perspective View

SIZE A VIEW DWG NO. I6000-02 REV

SCALE 0.75 FILE I6000.prt SHEET 3/3

Material:

Finish: Tolerance