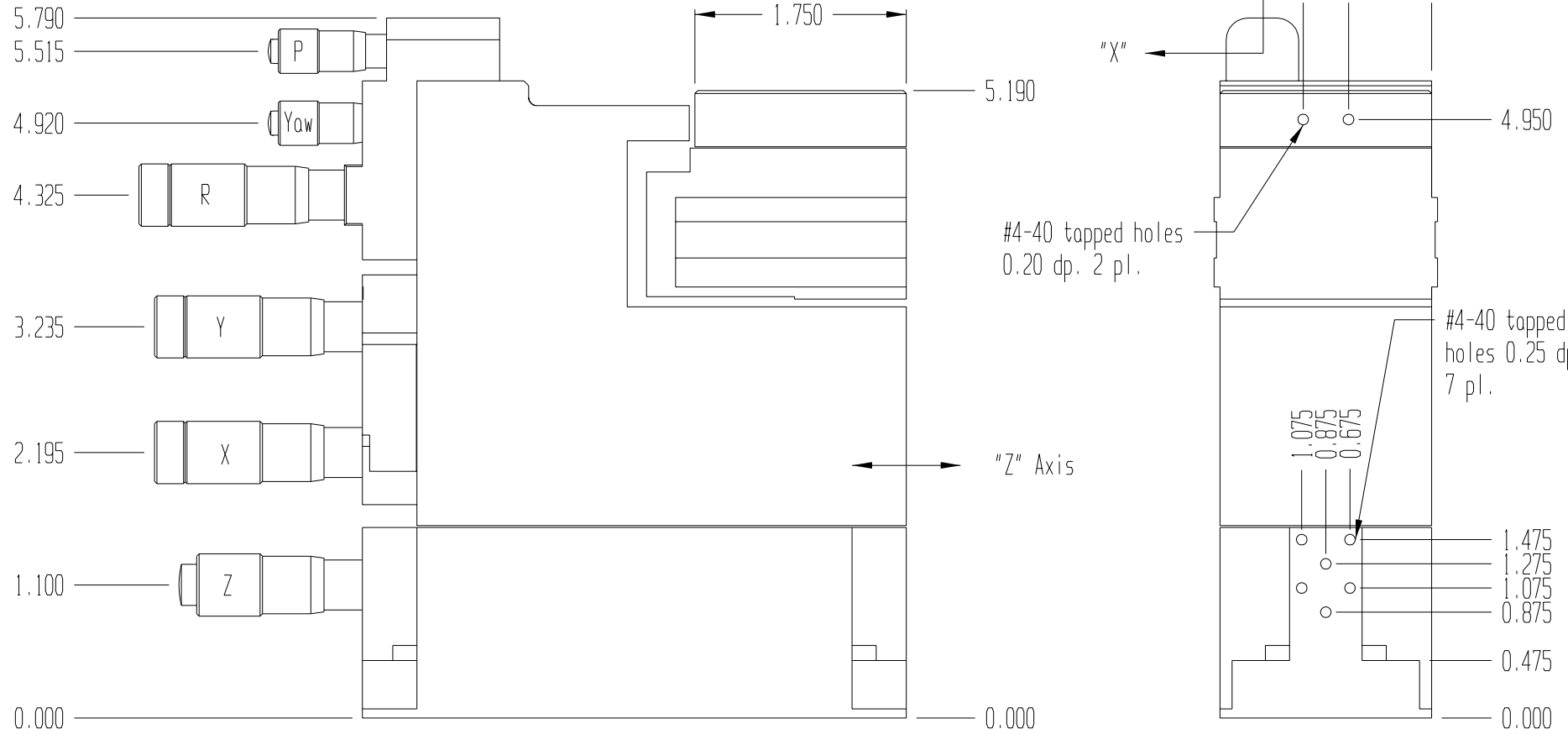


PKG Start Date:

REV Date: Jan 09, 03

APPROVED



NOTE: Stage is shown in mid-position of travel
 Z-Axis travel: +/- 0.250" (6.35mm)
 X&Y Axis travel: +/- 0.040" (1.02mm) (coarse adjustment)
 +/- 0.010" (250um) (fine adjustment)
 Roll, Yaw & Pitch: +/- 1.5° each axis

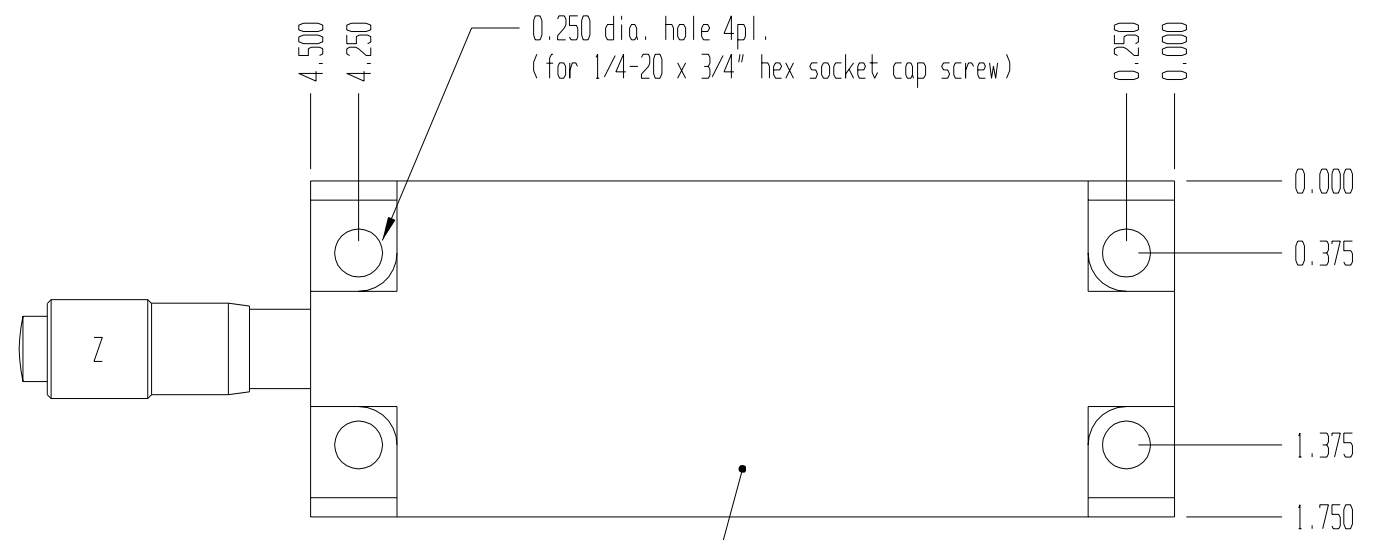
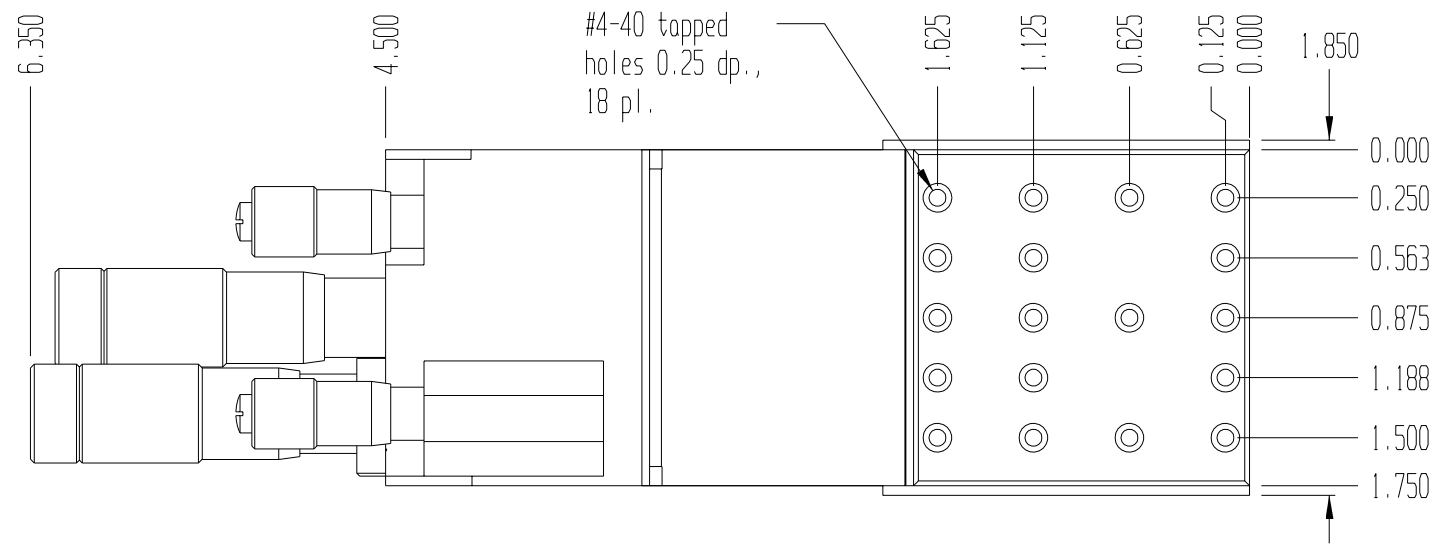
LUMINOS INDUSTRIES LTD

I6000 XYZRYP Positioner (manual) - Front & End Outline

Material:	
Finish:	Tolerance

SIZE A	VIEW	DWG NO.	I6000-01	REV
SCALE 0.75	FILE	I6000.prt	SHEET 1/3	

DESCRIPTION	REV Date: Jan 09, 03	APPROVED
-------------	----------------------	----------



Bottom outline - Z Axis stage only

LUMINOS INDUSTRIES LTD
 I6000 XYZRYP Positioner (manual)
 Outline Top & Bottom (Z-Axis stage only)

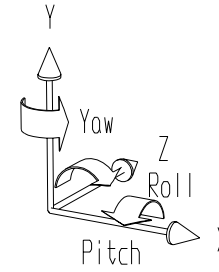
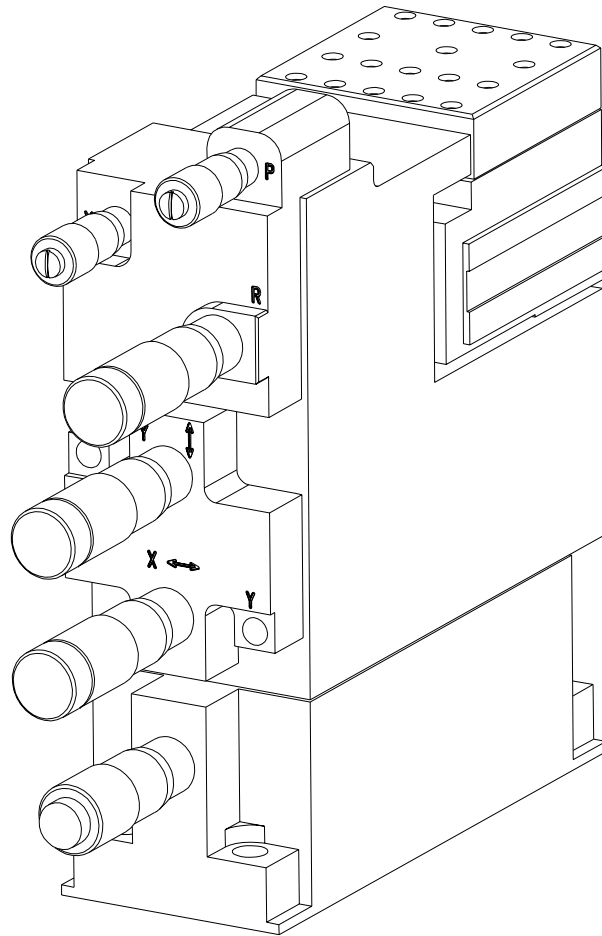
Material:	
Finish:	Tolerance

SIZE A	VIEW	DWG NO.	I6000-01	REV A
SCALE 1	FILE	I6000.prt	SHEET 2/3	

PKG Start Date:

REV Date: Jan 09, 03

APPROVED

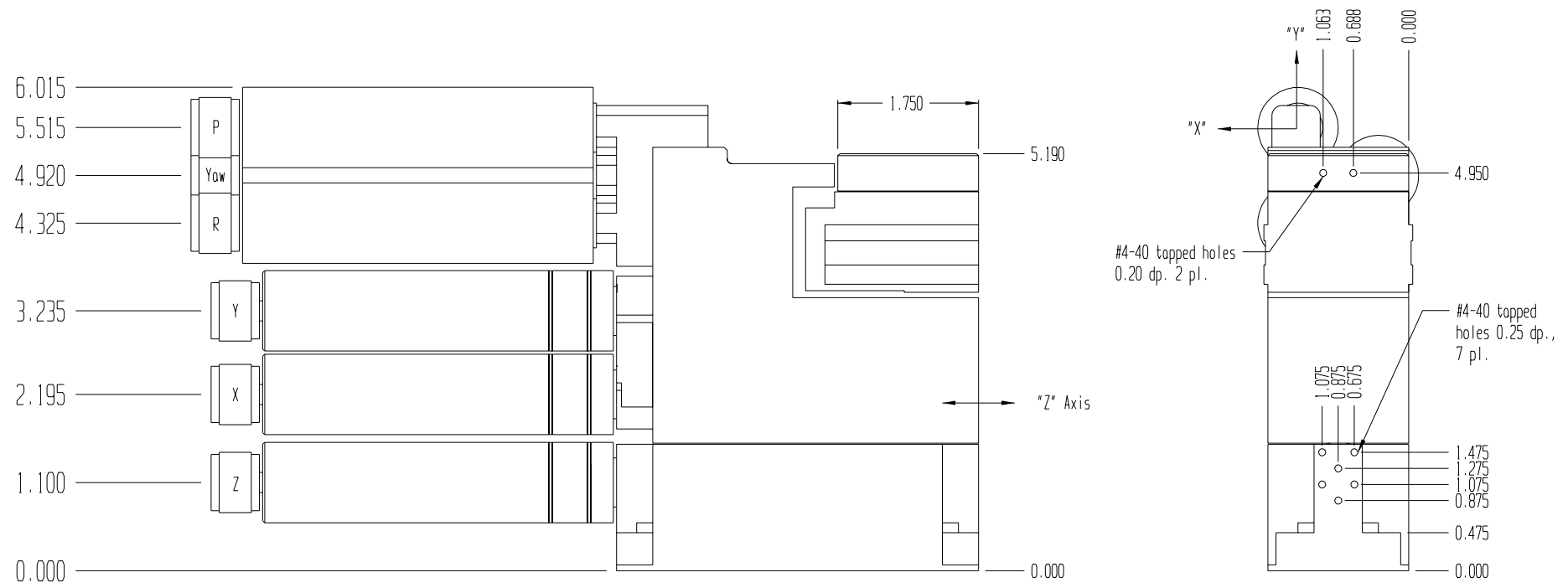


LUMINOS INDUSTRIES LTD

I6000 XYZRYP Positioner (manual) - Perspective View

Material:
Finish: Tolerance

SIZE A	VIEW	DWG NO.	I6000-01	REV
SCALE 0.75	FILE	I6000.prt	SHEET 3/3	

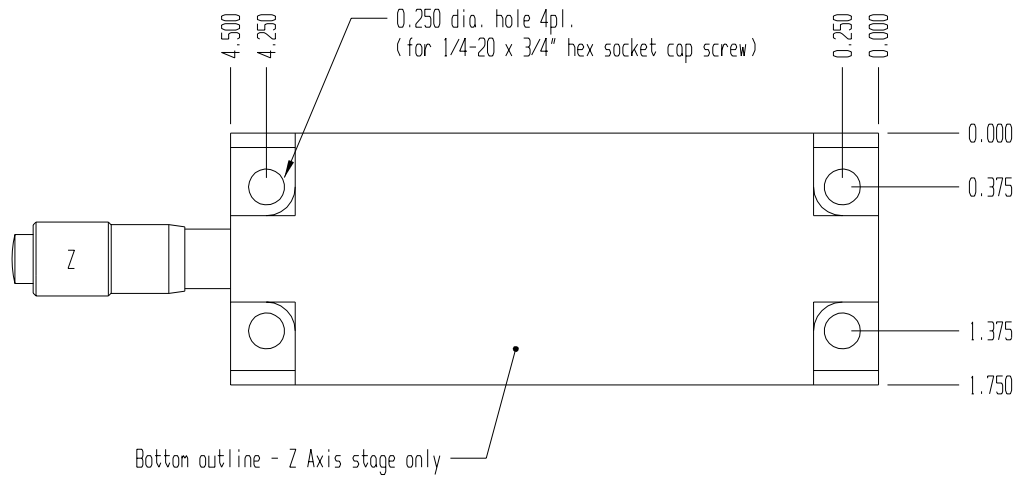
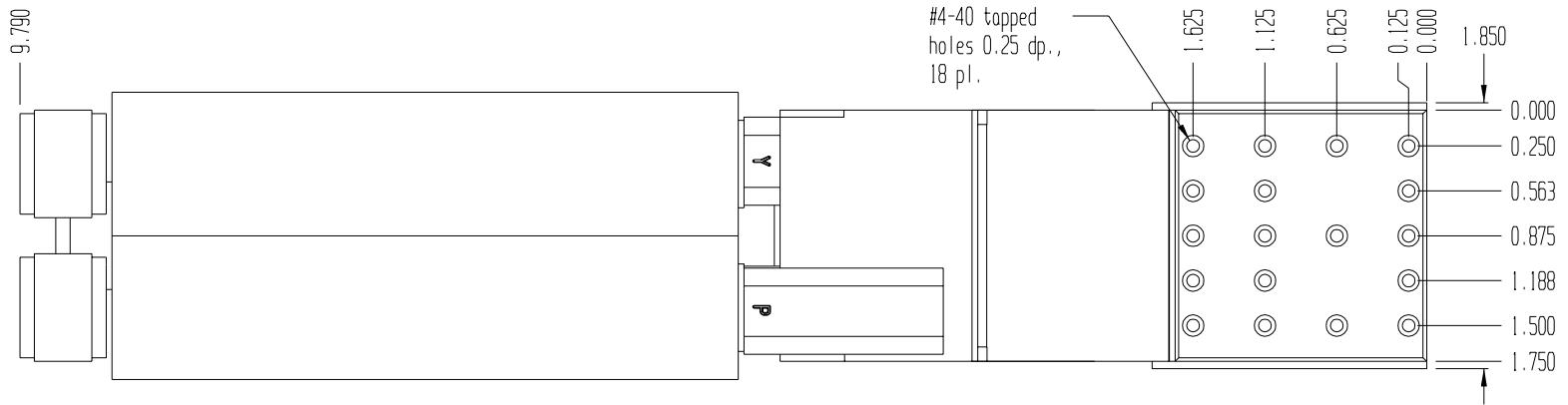


NOTE: Stage is shown in mid-position of travel
 Z-Axis travel: +/- 0.250" (6.35mm)
 X&Y Axis travel: +/- 0.040" (1.02mm) (coarse adjustment)
 +/- 0.010" (250µm) (fine adjustment)
 Roll, Yaw & Pitch: +/- 1.5° each axis

LUMINOS INDUSTRIES LTD				
I6000 XYZRYP Positioner (stepper motor) - Front & End Outline				
SIZE A	VIEW	DWG NO.	I6000-02	REV
SCALE 0.5	FILE	I6000.prt	SHEET 1/3	

Material:	
Finish:	Tolerance

DESCRIPTION	REV Date: Jan 09, 03	APPROVED
-------------	----------------------	----------



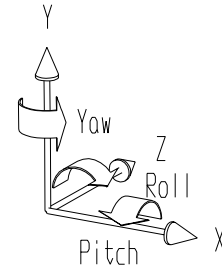
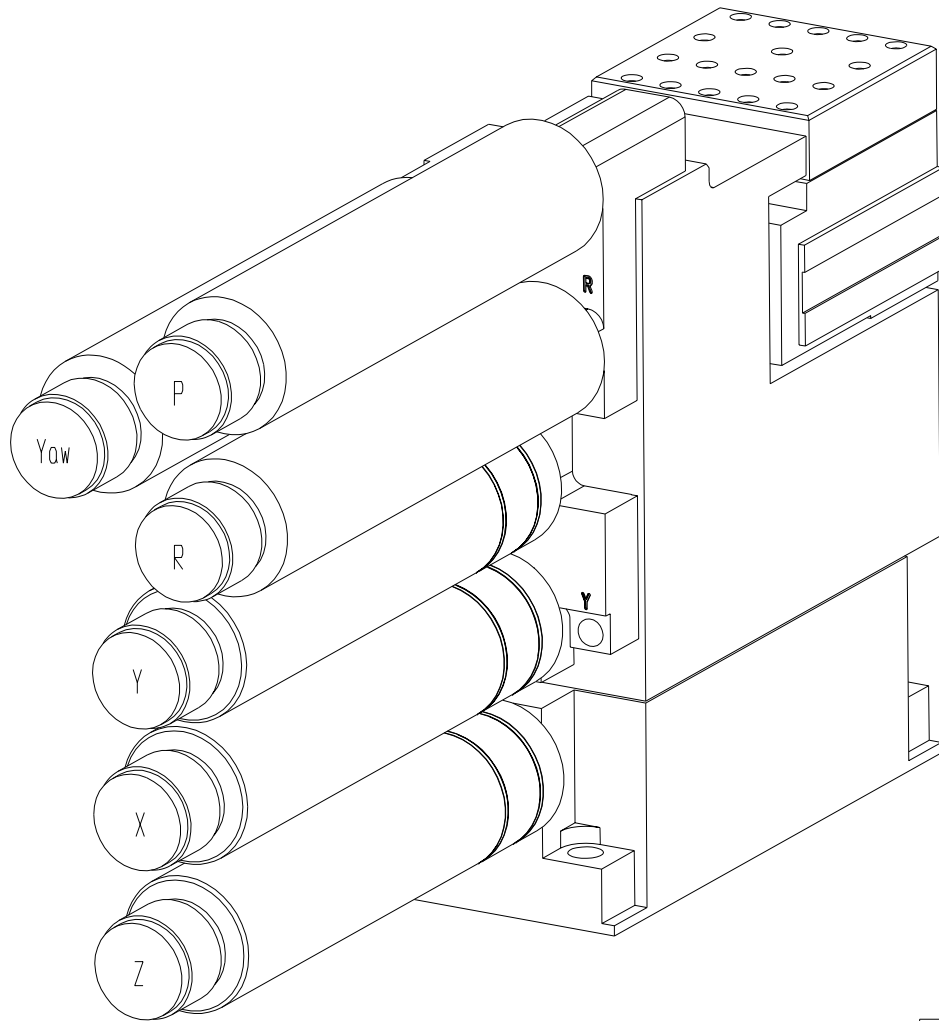
LUMINOS INDUSTRIES LTD				
I6000 XYZRYP Positioner (stepper motor)				
Outline Top & Bottom (Z-Axis stage only)				
SIZE A	VIEW	DWG NO.	I6000-02	REV A
SCALE 0.75	FILE	I6000.prt	SHEET 2/3	

Material:	
Finish:	Tolerance

PKG Start Date:

REV Date: Jan 09, 03

APPROVED



LUMINDS INDUSTRIES LTD

I6000 XYZRYP Positioner (stepper motor) - Perspective View

Material: _____
 Finish: _____ Tolerance _____

SIZE A	VIEW	DWG NO.	I6000-02	REV
SCALE 0.75	FILE	I6000.prt	SHEET 3/3	