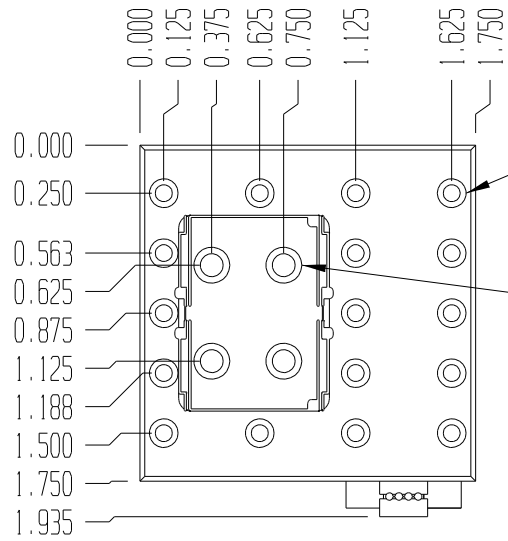


PKG Start Date:

REV Date:

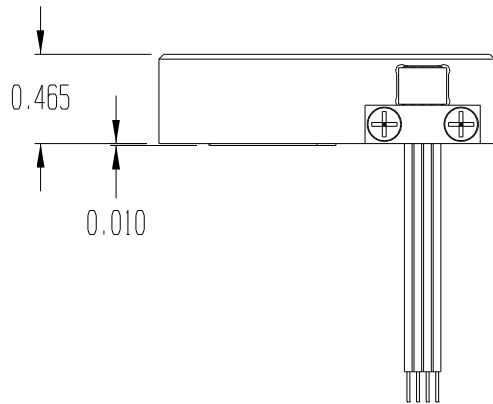
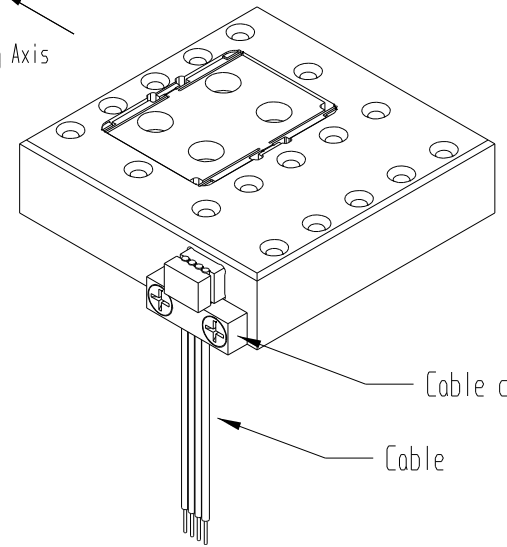
APPROVED



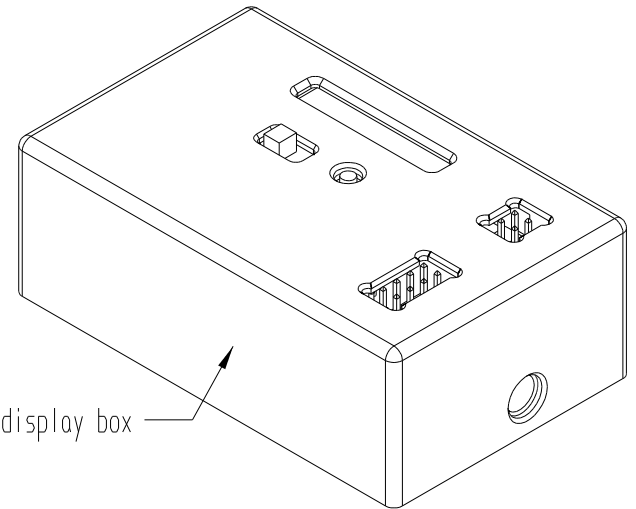
#4-40 tapped holes
0.25 dp., 17 pl.

clearance holes with C'bore
for #4-40 socket head cap screws
4 pl.

Sensing Axis



Companion display box



LUMINDS INDUSTRIES LTD

Contact Sensing System

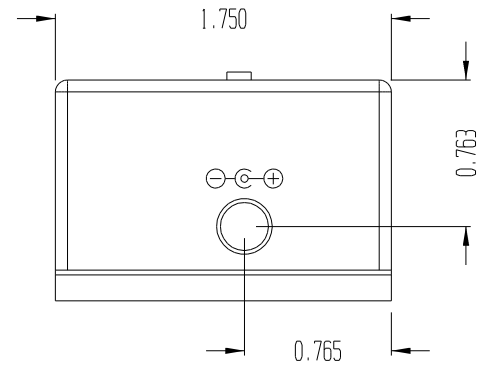
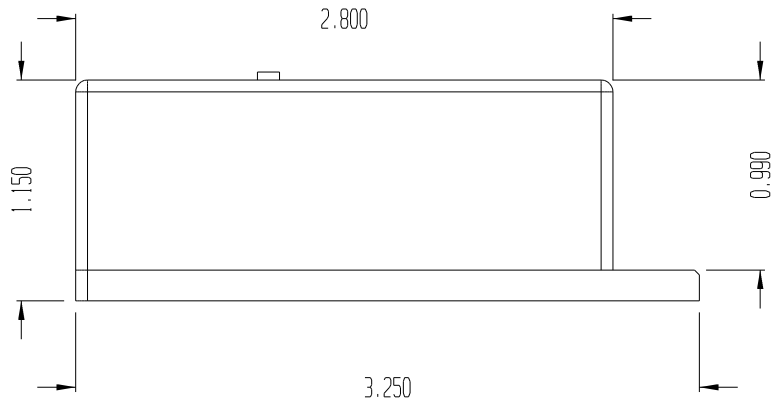
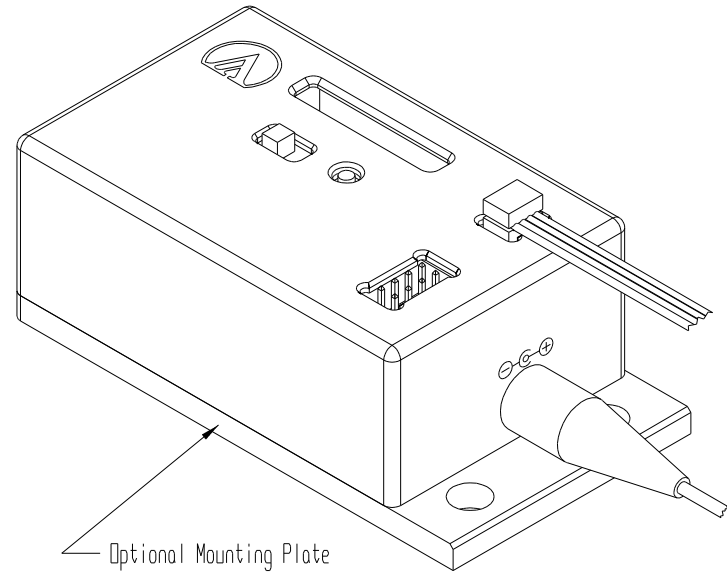
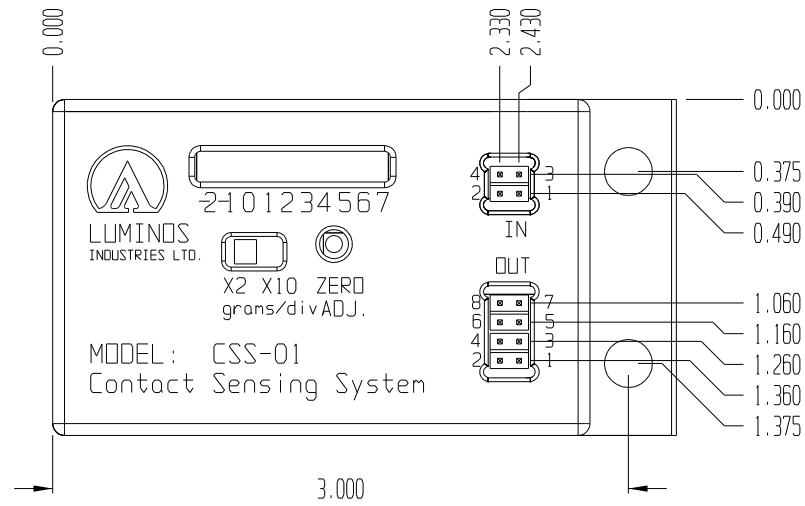
| | |
|-----------|-----------|
| Material: | |
| Finish: | Tolerance |

| | | | |
|---------|------|--------------|-----------|
| SIZE A | VIEW | PART NO. CSS | REV A |
| SCALE 1 | FILE | PT0169.prt | SHEET 1/1 |

PKG Start Date:

REV Date: Apr 11, 04

APPROVED



LUMINDS INDUSTRIES LTD

Contact Sensing System - Companion Display Box

Material:

Finish: Tolerance

| | | | | |
|---------|------|------------|-----------|-------|
| SIZE A | VIEW | PART NO. | CSS | REV A |
| SCALE 1 | FILE | PT0169.prt | SHEET 1/1 | |